

24
25

WORKBOOK |



KOMPERDELL

AT HOME IN THE ALPS



04
WE ARE KOMPERDELL

10
RACING

32
ALPINE

46
RENTAL

56
NORDIC XC

62
FREERIDE & TOURING

84
SNOWSHOES

92
PROTECTION

156
TREKKING

188
NORDIC WALKING

194
ACCESSORIES



CONTENT

WE DO IT **OUR*** WAY

* HONEST
PRODUCTS



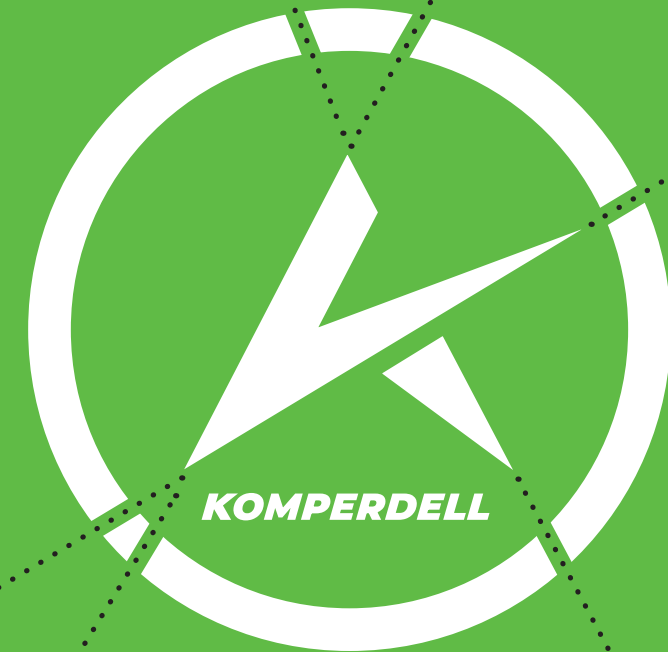
OUR MISSION

%
O
O
L
*

* HEART AND
PASSION



* MADE IN
AUSTRIA



* SERVICE WITH
COMMITMENT



* ECO BUT
LOGICAL



* WE KNOW
HOW



MADE, BORN AND GROWN **IN AUSTRIA**

KOMPERDELL. POLES MADE IN AUSTRIA SINCE 1922

KOMPERDELL HEADQUARTERS
Mondsee, Austria



DIFFERENT, BUT WITH A PURPOSE.

We develop and design with a deep commitment for creating value for the consumer and a passion for excellence. For us, "good" is by far not good enough."

Thomas Roiser, CEO KOMPERDELL

WE ARE THE N°1

We are always searching for the best solution, simply because we want the best for our customers.

That's probably why poles and protection from Komperdell have already won numerous innovation and technology awards.

WE DO IT OUR WAY

We have no room for bells and whistles.

That's why our products often appear puristic compared to competitors. We give up unfunctional details and decorative ballast in order to let the purpose determine the design.

Not everyone likes it, but our success proves us right:

Komperdell is the first choice for more than 200 athletes and one of the most successful brands in history.

By the way - we create and produce 100 % of our products in the heart of Austria. With a lot of passion and heart and soul.





We are „one“ team.

We are more than proud that everyone contributes to our successful products with dedication."

Charly Lindinger, production manager

THAT'S WHAT SETS US APART

OUR VALUES



MADE IN AUSTRIA

We are rooted in the heart of Austria and that is what our customers should feel.

We have been manufacturing in Mondsee since the very beginning. This is where the first idea was born and from where we have grown. Here we have everything from design, development to bulk production to make sure we can maintain our high-quality standards.

ECO BUT LOGICAL

Acting ecologically conscious is not just a slogan, but a matter of principle for us. We do not need a green logo or stamp; we are operating our business with an honest awareness of our environment. Our production facilities produce less emissions than a standard household kitchen.

As the pole manufacturer with the best CO2 balance, we have already achieved our climate goals a long time ago.

PRIMARY SUSTAINABLE

The fact that our poles are known for a very long product life span is based on our dedication to quality and excellence.

Having a closer look on origin and sustainability means more to us than a firm commitment to a clean environment.

For us it is essential to have a clear commitment to our workers, staff members, suppliers and most importantly our customers.

HEART AND PASSION

In everything we do you will always find and feel a lot of heart and passion from each one of us.

We pay attention to detail and constantly challenge us to find better solutions. Our athletes and customers can feel that too – and that's exactly why we are always happy to receive honest feedback.

SERVICE WITH GUARANTEE

Surprising and exceeding our customers' expectations is our goal. That is why we offer our unique 3-year free repair service.

We unconditionally repair your pole no matter what happened. Fast, easy and free of charge.

WE KNOW HOW

For more than 100 years we have been known as an innovator and pioneer.

This deep commitment to innovation and excellence has made us an industry leader.

Today we claim to have the market leading product in each and every category. Because for us "good" is just not good enough.

CHAMPION'S CHOICE

More than 200 athletes trust and win on Komperdell poles. From iconic skiers of the past to the coolest athletes of the present our house has always had a deep commitment for racing.

NORDIC WALKING ACCESSORIES
TREKKING
PROTECTION
SNOWSHOES
FREERIDE & TOURING
NORDIC XC
RENTAL
ALPINE
RACING



Henrik Kristoffersen
World Champion Giant Slalom
World Champion Slalom
3-time Slalom World Cup GLOBE winner
Giant slalom World Cup GLOBE winner
2 Olympic medals



WORLD CUP *****

NATIONALTEAM Carbon Slalom 12,3

- Sizes:**
- 100-140 cm (in 5 cm steps)
- Features:**
- technical grip with rubber & punch cover World-Cup style
 - race strap
 - Carbon, Ø 12,3 mm
 - mini race basket
 - flex carbide RACE tip

art. # 147 32 51-48

+ PUNCH PROTECTION VARIANTS:



PUNCH COVER
World Cup

art. # 156-48



PUNCH COVER
Profi

art. # 158-48



PUNCH COVER
Small

art. # 152-48

CHAMPION'S CHOICE

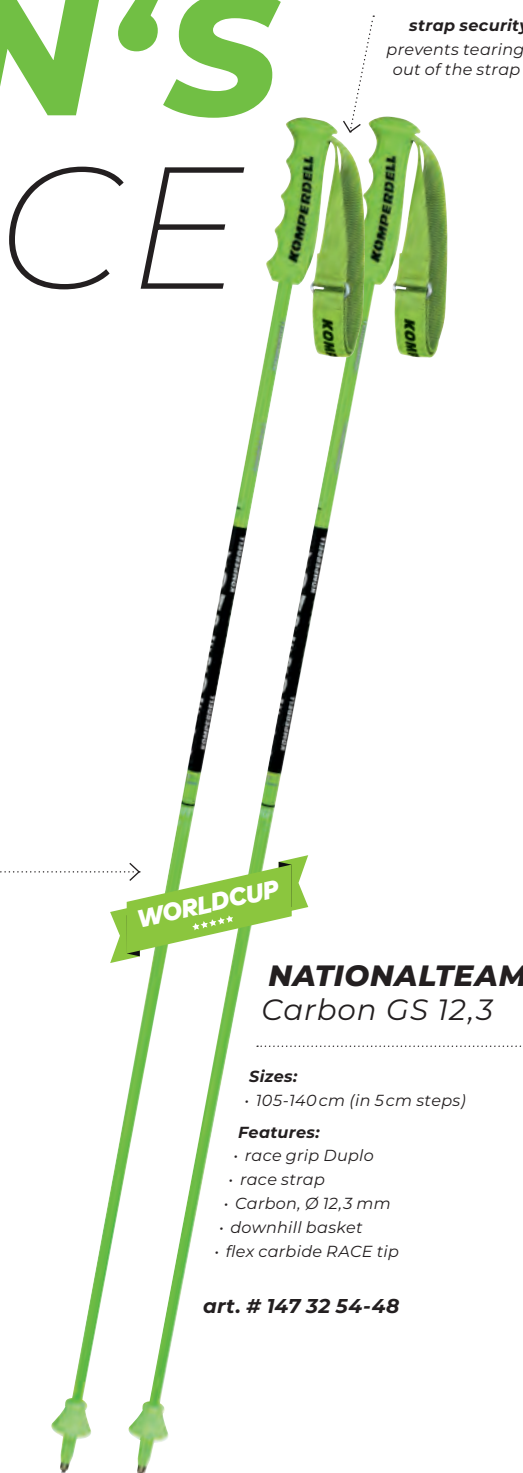


WORLD CUP *****

NATIONALTEAM Carbon Skicross Ti Core

- Sizes:**
- 115-140 cm (in 5 cm steps)
- Features:**
- 2-K touring click-in grip
 - click-in skicross strap
 - Carbon, Ø 16 mm TI core bent
 - mini race basket
 - flex carbide RACE tip

art. # 148 10 58-48



WORLD CUP *****

NATIONALTEAM Carbon GS 12,3

- Sizes:**
- 105-140 cm (in 5 cm steps)
- Features:**
- race grip Duplo
 - race strap
 - Carbon, Ø 12,3 mm
 - downhill basket
 - flex carbide RACE tip

art. # 147 32 54-48



Marco Schwarz
World Champion in Combination
World Championships Bronze Slalom
2x World Championships Bronze Giant Slalom
Slalom World Cup GLOBE winner

NORDIC WALKING ACCESSORIES
TREKKING
PROTECTION
SNOWSHOES
FREERIDE & TOURING
NORDIC XC
RENTAL
ALPINE
RACING

RACING WORLD CUP



James Crawford
World Champion Super-G
Olympic Bronze Alpine Combined

© GEPA-Pictures



WORLD CUP *****

NATIONALTEAM Carbon GS Bent

- Sizes:**
- 115-140cm (in 5cm steps)
- Features:**
- race grip Duplo
 - race strap
 - Carbon, Ø 16/10 mm, bent
 - downhill basket
 - flex carbide RACE tip

art. # 148 10 54-48

← **race grip**
offers perfect grip and
a secure feeling



SOFIA GOGGIA
Olympic Gold Downhill
Olympic Silver downhill
World Championships Silver Super-G
World Championships bronze giant slalom
4-time Downhill World Cup winner

© GEPA-Pictures



WORLD CUP *****

NATIONALTEAM Carbon Super-G

- Sizes:**
- 120-140cm (in 5cm steps)
- Features:**
- race grip Duplo
 - race strap
 - Carbon, Ø 16/10 mm, bent
 - downhill basket
 - flex carbide RACE tip

art. # 148 10 52-48

← **bent Carbon**
aerodynamic bent
for maximum speed



WORLD CUP *****

NATIONALTEAM Carbon Downhill

- Sizes:**
- 120-140cm (in 5cm steps)
- Features:**
- race grip Duplo
 - race strap
 - Carbon, Ø 16/10 mm, bent
 - downhill basket
 - flex carbide RACE tip

art. # 148 10 53-48



Vincent Kriechmayr
World champion downhill
World Champion Super-G
World Cup winner

© GEPA-Pictures

ACCESSORIES
NORDIC WALKING
TREKKING
PROTECTION
SNOWSHOES
FREERIDE & TOURING
NORDIC XC
RENTAL
ALPINE
RACING

ACCESSORIES
NORDIC WALKING
TREKKING
PROTECTION
SNOWSHOES
FREERIDE & TOURING
NORDIC XC
RENTAL
ALPINE
RACING



Petra Vihova
Giant Slalom World Champion
Olympic champion in Slalom
Overall World Cup Winner
2-times Slalom World Cup Globe Winner

© GEPA-Pictures

© GEPA-Pictures



Kajsia Vickhoff Lie
2nd place

Ilka Stuhec
1st place

Elena Curtoni
3rd place

RACING CARBON



high performance Carbon

We develop our own Carbon tubes. Top-quality Japanese Carbon fibers in combination with our unique production technique and resins result in top quality Carbon poles with breaking points up to 200 kg's.

NATIONALTEAM Carbon

Sizes:
· 105 – 135 cm (in 5 cm steps)

Features:
· race grip rubber
· race strap
· Carbon, Ø 13/9 mm
· mini race basket
· tungsten/carbide flex tip

art. # 146 42 01-48



race strap
easy to adjust
for perfect fit
and comfort

junior-edition

The perfect racing pole made of extra light Carbon for tomorrow's winner!

NATIONALTEAM Carbon Junior

Sizes:
· 85 – 115 cm (in 5 cm steps)

Features:
· Kids Race rubber grip
· race strap
· Carbon, Ø 13/9 mm
· mini race basket
· tungsten/carbide flex tip

art. # 146 42 02-48



Thomas Dreßen
Worldcup Winner

© GEPA-Pictures

RACING ALUMINUM

Light but strong as steel. For our Aluminum racing poles we use only the toughest Aluminum alloys in combination with our proprietary heat treatment process. Resulting in the superior quality our athletes demand and need.

NORDIC WALKING ACCESSORIES
TREKKING
PROTECTION
SNOWSHOES
FREERIDE & TOURING
NORDIC XC
ALPINE
RACING



Federica Brignone
World Champion Alpine Combined
Overall World Cup winner
3 Olympic medals



WORLD CUP

NATIONALTEAM
Alu Slalom 19 mm

- Sizes:**
- 100-135 cm (in 5 cm steps)
- Features:**
- technical grip with rubber & punch cover World-Cup style
 - race strap
 - Aluminum 7075-T6, Ø 19 mm
 - mini race basket
 - tungsten/carbide flex tip

art. # 144 42 51-48

+ PUNCH PROTECTION VARIANTS:



PUNCH COVER
World Cup

art. # 156-48



PUNCH COVER
Profi

art. # 158-48



PUNCH COVER
Small

art. # 152-48

RACING ALUMINUM



WORLD CUP

NATIONALTEAM
Alu Super-G 19 mm

- Sizes:**
- 100-135 cm (in 5 cm steps)
- Features:**
- race grip Duplo
 - race strap
 - Aluminum 7075-T6, Ø 19 mm bent
 - downhill basket
 - tungsten/carbide flex tip

art. # 144 42 50-48



WORLD CUP

NATIONALTEAM
Profi 19 mm

- Sizes:**
- 100-135 cm (in 5 cm steps)
- Features:**
- race rubber grip
 - race strap
 - Aluminum 7075-T6, Ø 19 mm
 - mini race basket
 - tungsten/carbide flex tip

art. # 144 42 01-48



Cornelia Hütter
World Cup winner
World Championship bronze

NORDIC WALKING ACCESSORIES
TREKKING
PROTECTION
SNOWSHOES
FREERIDE & TOURING
NORDIC XC
ALPINE
RACING

RACING ALUMINUM



High-End Aluminum
Ingredients of zinc and magnesium together with a complex alloying technique result in extreme strength, similar to steel.

Super-G pole
made of extremely strong Aluminum 7075-T6 with aerodynamical Super-G bending

NATIONALTEAM 18 mm

- Sizes:**
• 100-135 cm (in 5 cm steps)
- Features:**
• rubber race grip
• race strap
• Aluminum 7075-T6, Ø 18 mm
• mini race basket
• tungsten/carbide flex tip


art. # 134 42 01-48

NATIONALTEAM Super-G 18 mm

- Sizes:**
• 100-135 cm (in 5 cm steps)
- Features:**
• rubber race grip
• race strap
• Aluminum 7075-T6, Ø 18 mm
• downhill basket
• tungsten/carbide flex tip

art. # 134 42 02-48



Alexander Steen Olsen
 **Alexander Steen Olsen**
 World Cup winner
 Junior world champion slalom and giant slalom

© GEPA-Pictures



Floris Wondergem
Vintage 2010

© 247sportphoto

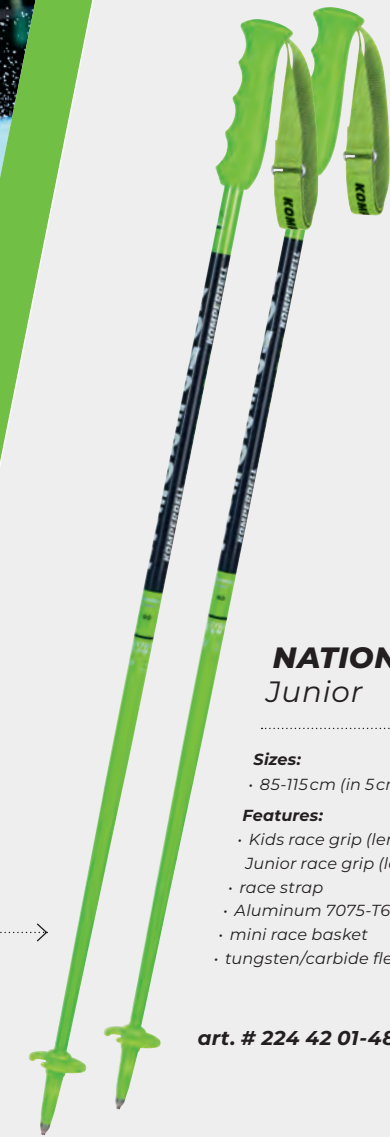


junior-edition
Nationalteam poles made of extremely strong Aluminum for true Worldcup feeling!

NATIONALTEAM Super-G Junior

- Sizes:**
• 85-115 cm (in 5 cm steps)
- Features:**
• Kids race grip (length 85 - 95 cm) / Junior race grip (length 100 - 115 cm)
• race strap
• Aluminum 7075-T6, Ø 16 mm
• downhill basket
• tungsten/carbide flex tip

art. # 224 42 02-48



NATIONALTEAM Junior

- Sizes:**
• 85-115 cm (in 5 cm steps)
- Features:**
• Kids race grip (length 85 - 95 cm) / Junior race grip (length 100 - 115 cm)
• race strap
• Aluminum 7075-T6, Ø 16 mm
• mini race basket
• tungsten/carbide flex tip

art. # 224 42 01-48

- Junior Race grip**
length 100-115 cm
- Kids Race grip**
length 85-95 cm



Finn Erlandsson
Vintage 2017

© 247sportphoto

RACING GARDS

We established our own Carbon development and production facilities more than 20 years ago. We use only the highest quality Carbon fibers and resins for the production of our lightweight yet extremely tough shin- and elbow guards.



included
Transport bag

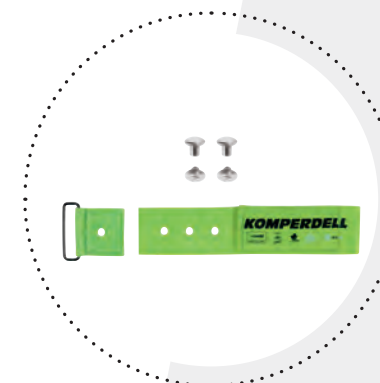
RACING GUARDS

individually adaptable

screws and straps
for your optimal
position and best hold



strap length can be easily
changed by straps with
pre-made hole variants
and screw connections



inside with
Protector foam

The thickness of the inside material with impact protection is adaptable – multiple layers can be additionally attached for better fit.



material in
center reinforced
optimal protection
from ricocheting poles

flexible outer edge
suitable for any leg or
calve size

CARBON ELBOW PROTECTION
World Cup

art. # 6537-48



modified form
for better fit
on the forearm

ELBOW PROTECTION
World Cup

art. # 6623-213 adult
art. # 6625-213 junior

BRAND
NEW

RACING GUARDS



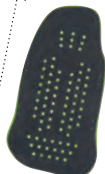
included Transport bag

positions of the straps are freely selectable
prefabricated marking for frequently used ones
hole positions

shorten to individual length
length of the shinguard can be shortened by up to 10 cm – close fitting with the boot

The strap course is freely selectable between parallel and cross.

inside with Protector foam
The thickness of the inside material with impact protection is adaptable – multiple layers can be additionally attached for better fit.



CARBON SHINGUARD
World Cup
art. # 6535-48

leading edge
ensures that the slalom poles slide off to the outside

reinforced surface
provides perfect protection for the full length of the shin

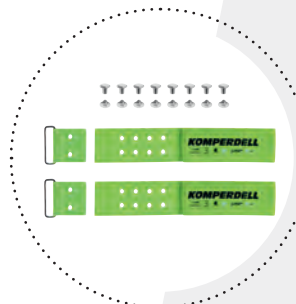
flexible outer edge
suitable for any leg or calve size

SHINGUARD
Profi World Cup

Features:
· individual fit

art. # 6622-213 adult
art. # 6624-213 junior

strap length can be easily changed by straps with pre-made hole variants and screw connections



BRAND NEW

positions of the straps are freely selectable
marked hole positions

shorten to individual length
close fitting with the boot



RACE GLOVES

perfect protection for our racers. Our racing gloves are made of ultra soft yet durable genuine leather to ensure a perfect balance between feel and protection for the racer.



RACE GLOVES



seams at the outside
no irritating seams
on the fingertips



**expanded knuckle
protection**
made of Carbon

**padding in
armadillo principle**
flexible punch
protection

**RACING GLOVE
Junior**

RACING GLOVE

Sizes:
· XS-XL

Features:
· genuine leather
· special thermal insulation
· knuckle protection made of Carbon (only Adult)
· shock absorbing foam at finger, thumb
and back of the hand

art. # 6501-02 adult
art. # 6620-02 junior



**extremely warm &
genuine leather**

non-slip palm
for best grip



tough stuff material
extremely abrasion
resistant – also used
in motorcycling

**RACING LOBSTER
Junior**

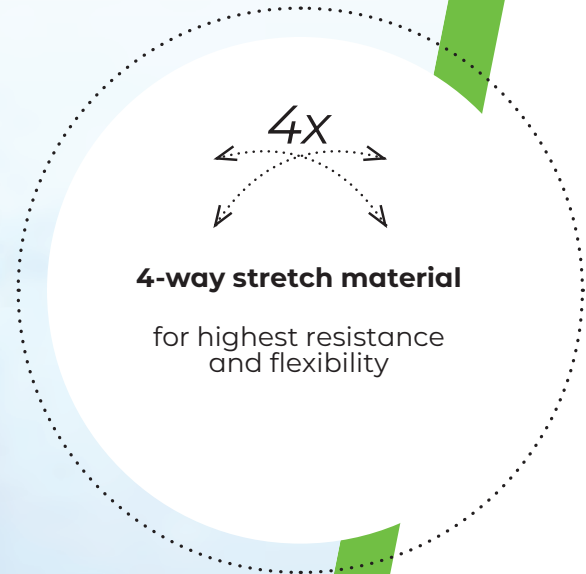
RACING LOBSTER

Sizes:
· XS-XL

Features:
· genuine leather
· knuckle protection made of Carbon
(only Adult)
· shock absorbing foam at finger, thumb
and back of the hand

art. # 6502-02 adult
art. # 6621-02 junior

RACING PROTECTION



ALSO FOR
YOUNG RIDERS



SIZE CHART
FOR JUNIORS

size	unisex	age
116	XS	6 years
128	S	8 years
140	M	10 years
152	L	12 years



FULL PROTECTOR Race Suit

Sizes:
 · Adult: XXS-XXL
 · Junior: 116-152

- Features:**
- with integrated protector at the back
 - special racing material
 - elastic and breathable
 - extra warm due to the thermo fleece lining
 - integrated protectors at upper arms, forearms, shoulders, hips, tailbone, thigh & knee
 - preshaped cut – adapted to the racing position
 - thumb-loops for best hold
 - 2-way front zip

art. # 6612-01 adult
 art. # 6613-01 junior

back protection
 from the 7th cervical
 to the tailbone



SLALOM Race Suit

Sizes:
 · Adult: XXS-XXL
 · Junior: 116-152

- Features:**
- integrated protectors at upper arms, forearms, shoulders, hips, tailbone thigh & knee
 - special racing material
 - elastic and breathable
 - extra warm due to the thermo fleece lining
 - preshaped cut – adapted to the racing position
 - thumb-loops for perfect hold
 - 2-way front zip
 - perfect combination with FIS Approved Race Pack

art. # 6614-01 adult
 art. # 6615-01 junior



RACING PROTECTION

NORDIC WALKING ACCESSORIES
TREKKING
PROTECTION
SNOWSHOES
FREERIDE & TOURING
NORDIC XC
RENTAL
ALPINE
RACING



RACE PACK

Sizes:
· Adult: XXS-XL
· Junior: 116-152

- Features:**
- multilayer Cross Flex back-protector made of adaptive dual-density foam, EN-approved 1621-2
 - confirms to FIS regulations
 - anatomic shaped back part
 - new preshaped strap system for best fit – shoulder it like a backpack
 - protector insert visible - part of the design concept
 - ultimate freedom of movement
 - slim kidney belt for perfect fit, adjustable with velcro and plush

art. # 6618-208 adult
art. # 6619-208 junior



PROTECTOR Slalom Shirt

Sizes:
· Adult: XS-XL
· Junior: 116-152

- Features:**
- perfect breathability, comfortable to wear
 - body-shape cut
 - multilayer protectors made of dual-density foam
 - perfect protection of shoulders, shoulderblades and arms
 - specially shaped back for perfect combination with the Fis approved Race Pack

art. # 6283-02 adult
art. # 6284-02 junior



FULL PROTECTOR Slalom Shirt Long

Sizes:
· Adult: XS-XL
· Junior: 116-152

- Features:**
- perfect breathability, comfortable to wear
 - multilayer Cross 6.0 back-protector, made of adaptive dual-density foam, EN-approved 1621-2
 - perfect protection of back, shoulders, shoulderblades & arms

art. # 6301-208 adult
art. # 6302-208 junior



NORDIC WALKING ACCESSORIES
TREKKING
PROTECTION
SNOWSHOES
FREERIDE & TOURING
NORDIC XC
RENTAL
ALPINE
RACING

RACING BAGS



back-strap system can be stowed away

NATIONALTEAM Ski Boot Bag

- Features:**
- Ski-boots to be stored either in the main compartment or in the side pockets (dry compartment)
 - partitions in the main compartment (e.g. for helmet, goggles, punch guards)
 - adjustable and padded shoulder-straps, straps for chest and waist
 - back-straps can be stowed away
 - waterproof bottom construction
 - measurements 600x500x350 mm
 - total volume 72 l

art. # 6503-208

several compartments with partitions for goggles, helmet and punch guards



waterproof bottom-construction

side pockets to store ski-boots or other accessories

carry-system can be adjusted to the individual center of gravity



NATIONALTEAM Expandable Pole & Ski Bag with wheels

- Features:**
- capacity for 4 pair of skis plus poles
 - integrated straps with non-slip fixing
 - reinforced and padded bottom
 - integrated wheels
 - carry-system can be adjusted to the individual center of gravity
 - total length 150 cm/109.2 liters
 - expandable in length for 70 cm to 220 cm/60.16 liters
 - packed size 75 cm

art. # 6500-02

total length 150 cm compact



packed size 75x28 cm

wheels for easy transport



2 straps on the inside to secure the skis

side pockets storage options for ski boots or helmet



NATIONALTEAM Expandable Pole & Ski Bag

- Features:**
- capacity for 4 pair of skis plus poles
 - integrated straps with non-slip fixing
 - tear-proof and robust
 - total length 150 cm/109.2 liters
 - expandable on both ends for 35 cm to a total of 220 cm/160.16 l

art. # 6414-02

personalization is optional

NORDIC WALKING ACCESSORIES
NORDIC WALKING
TREKKING
PROTECTION
SNOWSHOES
FREERIDE & TOURING
FREERIDE & TOURING
NORDIC XC
RENTAL
ALPINE
RACING

ACCESSORIES
NORDIC WALKING
TREKKING
PROTECTION
SNOWSHOES
FREERIDE & TOURING
NORDIC XC
RENTAL
ALPINE
RACING

ALPINE BAMBOO

NO QUESTIONS ASKED
3
YEAR
SERVICE

← grip made of genuine leather

← sheer bamboo veneer
wrapped around the Carbon shaft

Powerlock 3.0
highly rigid, anodized
Aluminum for maximum
holding power!

CARBON CLOUD Bamboo Vario

- Sizes:**
- adjustable from 110-140cm
- Weight:**
- 199g
- Features:**
- leather grip
 - leather strap with embossed logo
 - 2-sections:
 - upper part: Carbon enhanced with bamboo, Ø16mm
 - lower part: Carbon, Ø14mm
 - Powerlock 3.0 mechanism
 - regular UL basket
 - vario flex carbide tip

art. # 175 22 15-10



CARBON CLOUD Bamboo

- Sizes:**
- 110-135cm (in 5cm steps)
- Weight:**
- 163g (125cm)
- Features:**
- leather grip
 - leather strap with embossed logo
 - Carbon featherlight, Ø16mm
 - enhanced with bamboo
 - Mini UL basket
 - vario flex carbide tip

art. # 148 22 20-10



ALPINE CLOUD

← our most lightweight pole only 134g

CARBON CLOUD White Knight

- Sizes:**
- 110-135cm (in 5cm steps)
- Weight:**
- 134g (125cm)
- Features:**
- Foam Pistol grip
 - Air Padded Strap
 - Carbon, Ø16mm cloud
 - mini UL basket
 - vario flex carbide tip

art. # 148 23 43-55

CARBON CLOUD Dark Knight

- Sizes:**
- 110-135cm (in 5cm steps)
- Weight:**
- 134g (125cm)
- Features:**
- Foam Pistol grip
 - Air Padded Strap
 - Carbon, Ø16mm cloud
 - mini UL basket
 - vario flex carbide tip

art. # 148 23 42-10



ALL MOUNTAIN CARBON

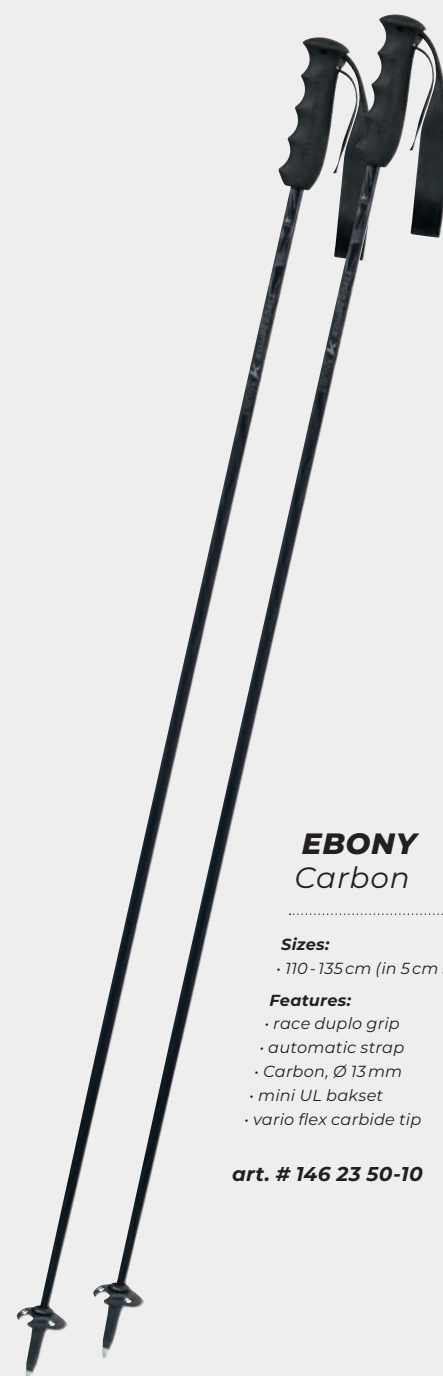


VICTORY Carbon

Sizes:
· 110-135cm (in 5cm steps)

Features:
· race grip rubber
· automatic strap
· Carbon, Ø 13mm
· mini UL bakset
· vario flex carbide tip

- art. # 146 23 48-10 bright green
- art. # 146 23 49-10 bright pink
- art. # 146 23 52-10 bright blue



EBONY Carbon

Sizes:
· 110-135cm (in 5cm steps)

Features:
· race duplo grip
· automatic strap
· Carbon, Ø 13mm
· mini UL bakset
· vario flex carbide tip

art. # 146 23 50-10



IVORY Carbon

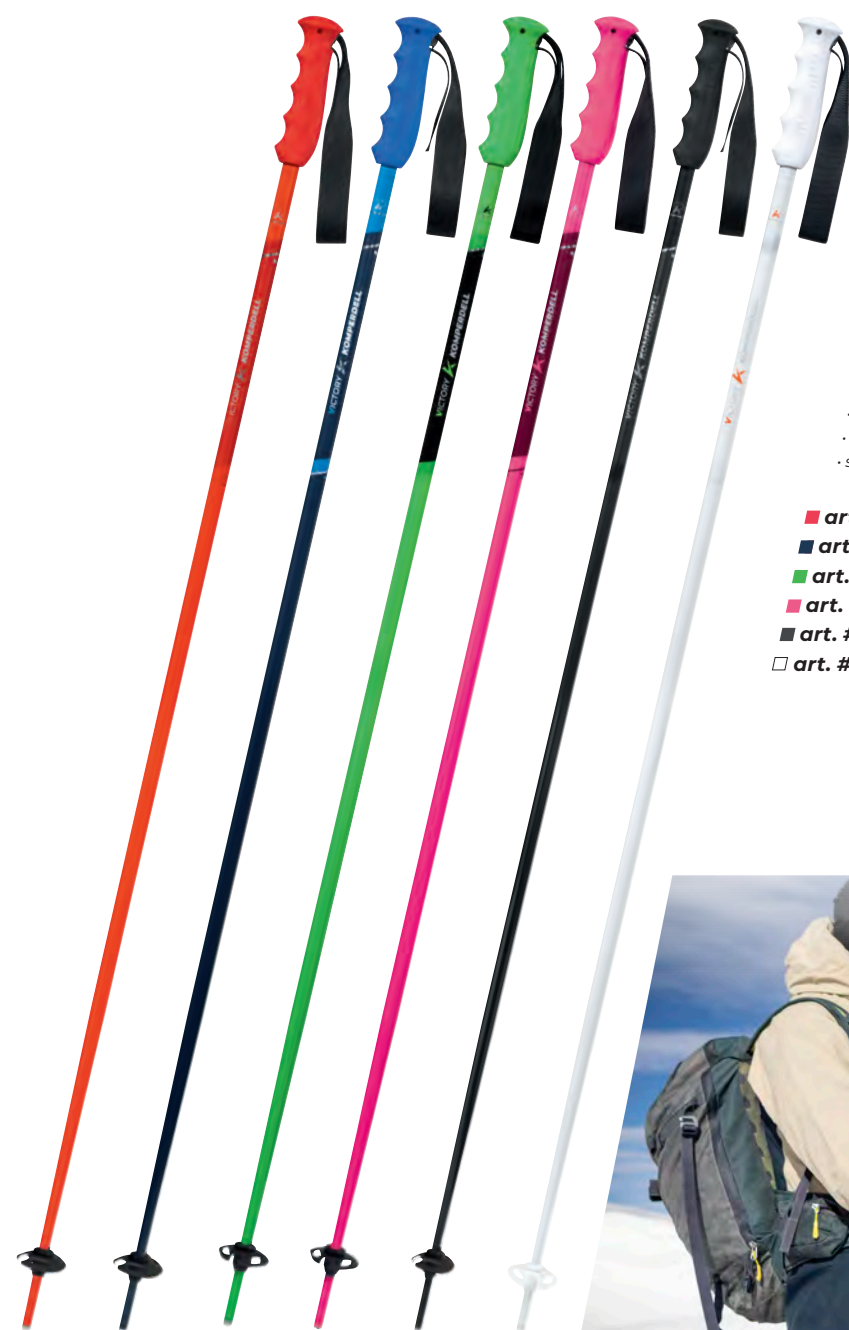
Sizes:
· 110-135cm (in 5cm steps)

Features:
· race duplo grip
· automatic strap
· Carbon, Ø 13mm
· mini UL bakset
· vario flex carbide tip

art. # 146 23 51-01



ALL MOUNTAIN ALUMINUM



VICTORY TI

Sizes:
· 110-135cm (in 5cm steps)

Features:
· race grip rubber
· automatic strap
· Aluminum 5083, Ø16mm
· mini UL bakset
· steel tip

- art. # 138 23 97-03 infrared
- art. # 138 23 98-04 dark blue/cyan
- art. # 138 23 99-48 bright green
- art. # 138 23 00-14 bright pink
- art. # 138 23 02-12 midnight grey
- art. # 138 23 03-01 bright white



VICTORY

Sizes:
· 110-135cm (in 5cm steps)

Features:
· PE race grip
· standard strap
· Aluminum 7075 Ø19mm
· mini UL bakset
· steel tip

art. # 132 11 08-10



ALPINE Schnapspole

Sizes:
· 110-135cm (in 5cm steps)

Weight:
· 327 g (125cm)

Features:
· inner tube for Schnaps including funnel
· volume: approx. 0,2l/pole
· PE-grip with inner tube
· standard strap
· Aluminum 7075, Ø19mm
· mini UL basket
· steel tip

art. # 144 93 03-02



ALPINE JUNIOR VARIO

NORDIC WALKING ACCESSORIES
TREKKING
PROTECTION
SNOWSHOES
FREERIDE & TOURING
NORDIC XC
RENTAL
ALPINE
RACING



The pole that grows up with you.



NO QUESTIONS ASKED
3
YEAR
SERVICE

Twistlock mechanism
Due to the easy mechanism the length can be adjusted from 80-105cm individually to your child.

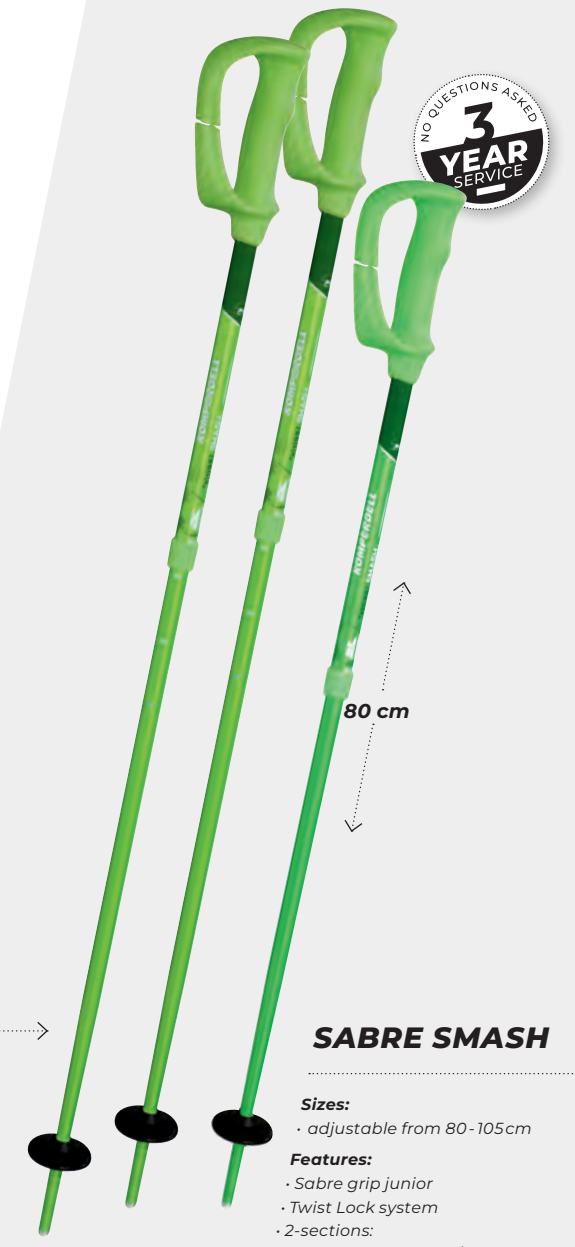
80 cm

SMASH SERIES

Sizes:
- adjustable from 80-105cm

Features:
- PU grip junior
- standard strap
- Twist Lock system
- 2-sections:
Aluminum 7075, Ø16/14 mm
- racing basket vario
- steel tip

- art. # 164 32 01-48 green
- art. # 164 32 02-03 red
- art. # 164 32 03-14 pink



NO QUESTIONS ASKED
3
YEAR
SERVICE

80 cm

SABRE SMASH

Sizes:
- adjustable from 80-105cm

Features:
- Sabre grip junior
- Twist Lock system
- 2-sections:
Aluminum 7075, Ø16/14 mm
- racing basket vario
- steel tip

art. # 164 32 04-48



NORDIC WALKING ACCESSORIES
TREKKING
PROTECTION
SNOWSHOES
FREERIDE & TOURING
NORDIC XC
RENTAL
ALPINE
RACING

ALPINE CHAMP



CHAMP GREEN Junior Super-G Henrik

Sizes:
· 70-105cm (in 5cm steps)

- Features:**
- race grip junior
 - standard stap
 - Aluminum 5086, Ø16mm, bent
 - mini race basket
 - steel tip

art. # 221 22 05-02

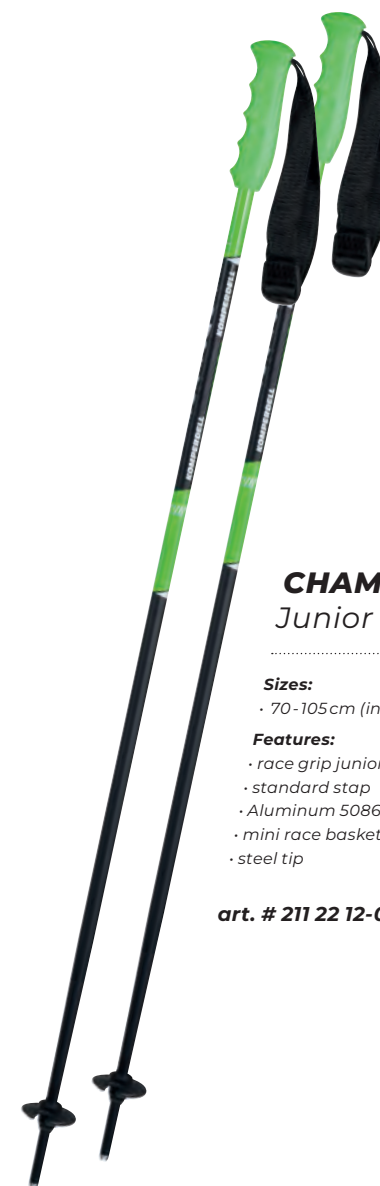


CHAMP PINK Junior Super-G Alice

Sizes:
· 70-105cm (in 5cm steps)

- Features:**
- race grip junior
 - standard stap
 - Aluminum 5086, Ø16mm, bent
 - mini race basket
 - steel tip

art. # 221 22 06-02



CHAMP GREEN Junior Henrik

Sizes:
· 70-105cm (in 5cm steps)

- Features:**
- race grip junior
 - standard stap
 - Aluminum 5086, Ø14mm
 - mini race basket
 - steel tip

art. # 211 22 12-02



CHAMP PINK Junior Alice

Sizes:
· 70-105cm (in 5cm steps)

- Features:**
- race grip junior
 - standard stap
 - Aluminum 5086, Ø14mm
 - mini race basket
 - steel tip

art. # 211 22 13-02

ALPINE JUNIOR



BRIGHT YELLOW

- Sizes:**
- 70-105cm (in 5cm steps)
- Features:**
- race grip junior
 - junior strap
 - Aluminum 5083, Ø14mm
 - mini race basket
 - steel tip

art. # 211 33 05-15



GREEN RUSH

- Sizes:**
- 70-105cm (in 5cm steps)
- Features:**
- sabre grip junior
 - Aluminum 5083, Ø14mm
 - mini race basket
 - steel tip

art. # 211 22 07-48

sabre grip
safety grip
without strap



REALLY PINK

- Sizes:**
- 70-105cm (in 5cm steps)
- Features:**
- race grip junior
 - junior strap
 - Aluminum 5083, Ø14mm
 - mini race basket
 - steel tip

art. # 211 22 08-28



EVERGREEN

- Sizes:**
- 70-105cm (in 5cm steps)
- Features:**
- race grip junior
 - junior strap
 - Aluminum 5083, Ø14mm
 - mini race basket
 - steel tip

art. # 211 22 09-48

ALPINE JUNIOR



KIDS SKI-SET

Sizes:
 · 60cm
 · 70cm

Features:
 · skiset for beginners
 · available in two lengths

■ **art. # 201-115** Spike Boys

■ **art. # 201-116** Lucy Girls



← **the set for beginners**
 perfect for those first attempts
 at skiing



BLUE BOOST

Sizes:
 · 70-105cm (in 5cm steps)

Features:
 · race grip junior
 · junior strap
 · Aluminum 5083, Ø14mm
 · mini race basket
 · steel tip

art. # 211 22 10-04



RED PEAK

Sizes:
 · 70-105cm (in 5cm steps)

Features:
 · race grip junior
 · junior strap
 · Aluminum 5083, Ø14mm
 · mini race basket
 · steel tip

art. # 211 22 11-03



CHALLENGER

Sizes:
 · 70-105cm (in 5cm steps)

Features:
 · junior jet grip
 · junior strap
 · Aluminum 5083, Ø14mm
 · mini race basket
 · steel tip

art. # 211 11 03-10

RENTAL ALPINE

Highest quality, 13 mm carbon shafts with an exceptional 2-season breakage guarantee.



examples of individual prints

+ INDIVIDUAL AND FLEXIBLE

- + Individual logo printing starting at 200 pairs, we can personalize poles, snowshoes or protectors with your logo.
- + Only the best service is just good enough
As we are convinced of the quality of our products, we grant a 2-season breakage warranty on all carbon poles.

RENTAL ALPINE



RENTAL CARBON
Adult / Junior

- Sizes:**
- Adult: 110 - 135 cm (in 5cm steps)
 - Junior: 80 - 105 cm (in 5cm steps)
- Features:**
- PU grip with Komperdell logo / KW JET PE grip
 - system strap XL / standard strap
 - carbon, Ø 13mm
 - mini race basket
 - flex steel tip

art. # 146 23 10-10 adult
art. # 146 22 10-10 junior



RENTAL SOFT CLEAR THERMO
Adult / Junior

- Sizes:**
- Adult: 110 - 135 cm (in 5cm steps)
 - Junior: 70 - 105 cm (in 5cm steps)
- Features:**
- PU Softgriff / KW Jet PE grip
 - system strap XL / Junior strap
 - Alu 7075-T6, Ø 19mm / Alu 5083, Ø 16mm
 - mini race basket
 - flex steel tip

art. # 144 23 09-10 adult
art. # 221 23 09-10 junior

Colour code via pole tips
a different colour per length (sizes in cm))

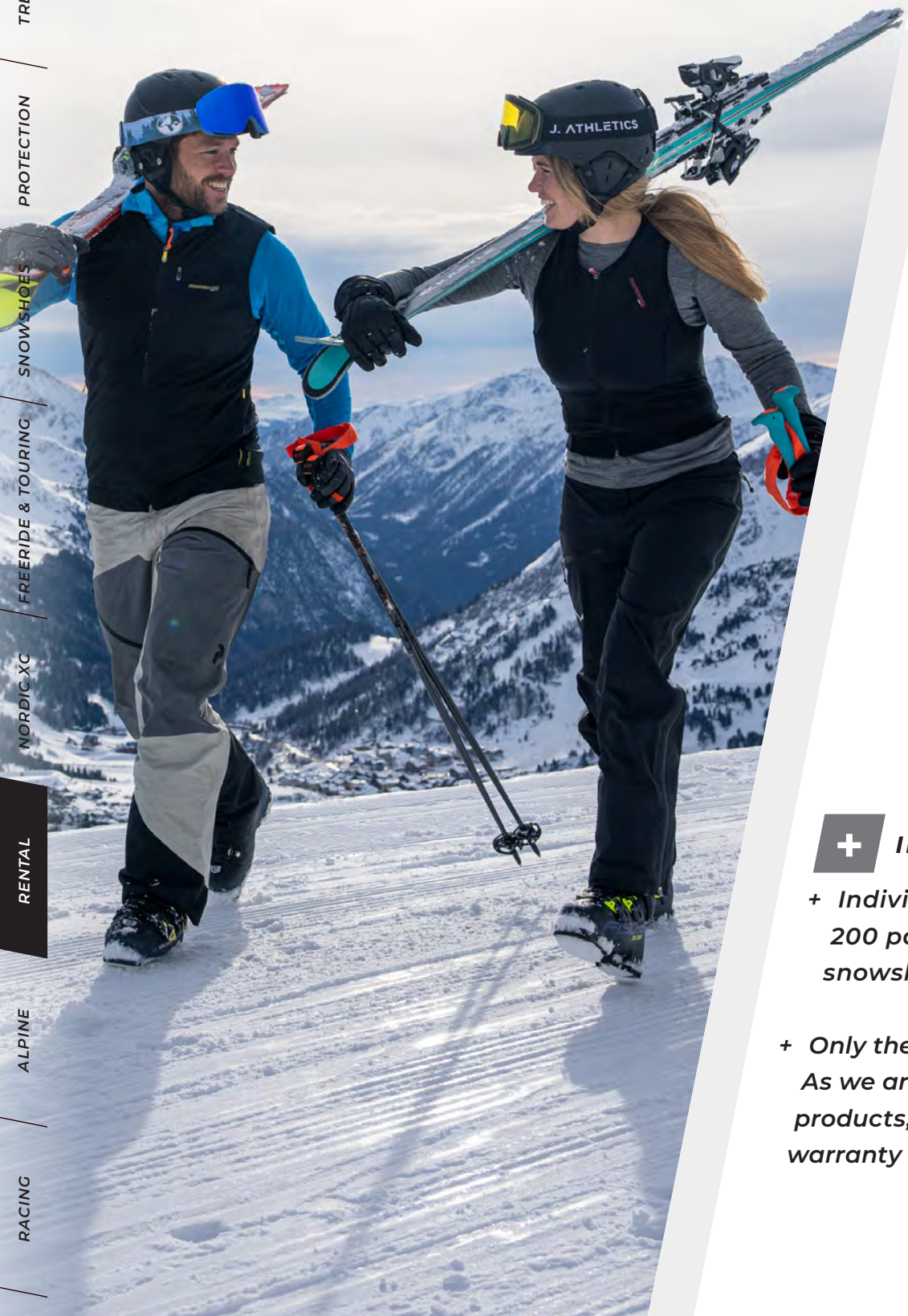
70	75	80	85	90
95	100	105	110	115
120	125	130	135	



RENTAL ALPINE

Full range adjustable rental poles mean less stock and never running out of sizes. All this backed by our 2-season breakage guarantee.

NORDIC WALKING ACCESSORIES
TREKKING
PROTECTION
SNOWSHOES
FREERIDE & TOURING
NORDIC XC
RENTAL
ALPINE
RACING



+ INDIVIDUAL AND FLEXIBLE

+ Individual logo printing starting at just 200 pairs, we can personalize poles, snowshoes or protectors with your logo.

+ Only the best service is good enough for us. As we are convinced of the quality of our products, we grant a 2-year breakage warranty on all carbon poles.

RENTAL ALPINE

Individual prints
We can personalize sticks from just 200 pairs and provide them with individual logo prints.

2 years Breakage guarantee
Because we are absolutely convinced of the quality of our products, we give up all carbon and warranty poles 2 seasons breakguarantee.

Powerlock 3.0
highly rigid, anodized aluminum for maximum holding power!

RENTAL VARIO Carbon

Sizes:
• adjustable from 110-140cm

Features:
• Race grip Duplo
• Comfort strap
• 2-sections:
Upper part: Aluminum 7075-T6, Ø 18 mm
Lower part: Carbon, Ø 16 mm
• Powerlock 3.0 mechanism
• Regular UL Basket
• Flex steel tip

art. # 184 24 30-10

RENTAL VARIO TI Adult / Junior

Sizes:
• Adult: adjustable from 110-140cm
• Junior: adjustable from 80-105cm

Features:
• Race grip Duplo / Race grip Junior
• Comfort strap / Standard strap
• 2-sections:
Upper part: Aluminum 7075-T6, Ø 18 mm
Lower part: Aluminum, Ø 16 mm / Aluminum, Ø 14 mm
• Powerlock 3.0 mechanism / Twist Lock
• Regular UL Basket / Mini UL Basket
• Flex steel tip / steel tip

art. # 184 24 31-10 adult
art. # 164 23 16-10 junior



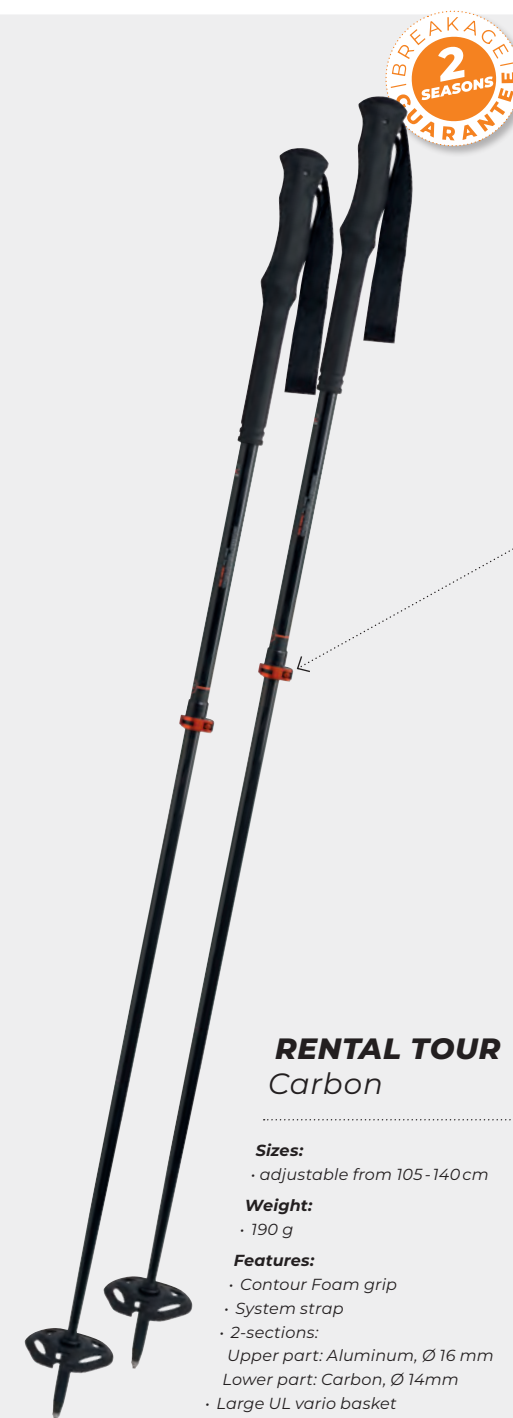
NORDIC WALKING ACCESSORIES
TREKKING
PROTECTION
SNOWSHOES
FREERIDE & TOURING
NORDIC XC
RENTAL
ALPINE
RACING

RENTAL TOURING

Whether the pole is being used for touring or snowshoeing, by providing a telescopic pole the correct length will always be available for your customers.



RENTAL TOURING



RENTAL TOUR Carbon

Sizes:
· adjustable from 105-140 cm

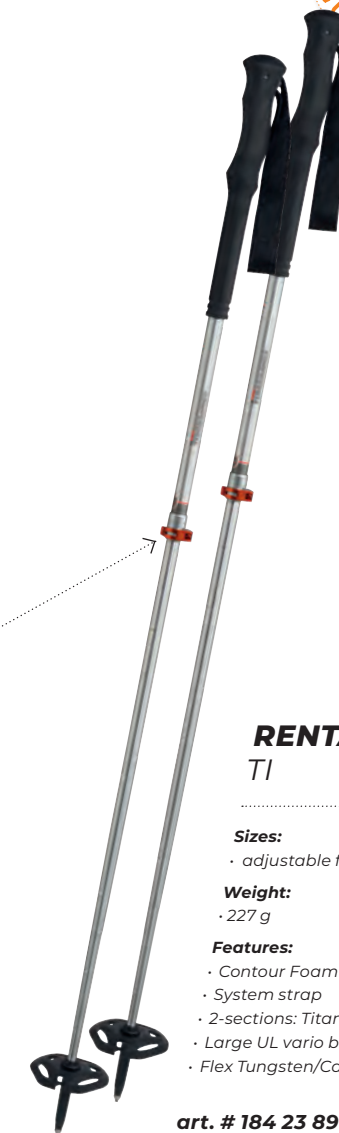
Weight:
· 190 g

Features:
· Contour Foam grip
· System strap
· 2-sections:
Upper part: Aluminum, Ø 16 mm
Lower part: Carbon, Ø 14mm
· Large UL vario basket
· Flex Tungsten/Carbide tip

art. # 184 23 88-10



Powerlock 3.0
highly rigid, anodized
aluminum for maximum
holding power!



RENTAL TOUR Ti

Sizes:
· adjustable from 105-140 cm

Weight:
· 227 g

Features:
· Contour Foam grip
· System strap
· 2-sections: Titanal 7075-T6, Ø 18/16 mm
· Large UL vario basket
· Flex Tungsten/Carbide tip

art. # 184 23 89-10



RENTAL NORDIC



NORDIC RENTAL Vario

Sizes:
• adjustable from 110 - 150 cm

Weight:
• 229 g

Features:
• Nordic Foam grip
• padded Nordic strap
• 2-sections: Titanal .HF 7075-T6, Ø 18/16 mm
• Powerlock 3.0 mechanism
• BC Nordic basket
• Nordic steel tip

art. # 184 23 90-02



NORDIC CARBON Rent

Sizes:
• 120 - 180 cm (in 5cm steps)

Weight:
• 170 g (155cm)

Features:
• Nordic 2K rubber grip
• Click-In race strap
• Carbon, Ø 16mm
• weight 100g/150cm/bending 17.5mm
• Nordic trail UL basket
• Carbid tip

art. # 520 23 17-10

RENTAL SNOWSHOES

The high performance aluminum frame and Hypalon decking create durable, yet lightweight snowshoes. As most of our rental poles, our snowshoes are also backed by our 2-season breakage guarantee.

OPTIONAL**Quicklock****Snowshoe Binding M-L**

- separate Quicklock Binding with lacing system
- suitable for common outdoor shoes
- optimal, comfortable fitting

art. # 6643-925**Snowshoe toe Cover S-M-L**

- keeps your feet dry and warm
- easy attachment to the binding by push button system

art. # 6574-925**PEAKMASTER**
Snowshoe 30**Size & load capacity:**

- T30 - bis 120 kg (baggage included)
- Binding L

Weight:

- T30 - 975 g/piece

Features:

- anodized High-Performance Aluminum Frame
- durable Hypalon decking
- Steel Front claw and middle claw for traction in different conditions
- Heel Lift
- Easy Step-In Binding in 3 sizes available

art. # 6576-10 T30 red**RENTAL**
SNOW-
SHOES**OPTIONAL****Quicklock****Snowshoe Binding M-L****art. # 6643-925****Snowshoe toe Cover S-M-L****art. # 6574-925****PEAKMASTER**
Snowshoe 22**Size & load capacity:**

- T22 - bis 80 kg (baggage included)
- Binding S

Weight:

- T22 - 833 g/piece

Features:

- anodized High-Performance Aluminum Frame
- durable Hypalon decking
- Steel Front claw and middle claw for traction in different conditions
- Heel Lift
- Easy Step-In Binding in 3 sizes available

art. # 6578-10 T22 ribes**OPTIONAL****Quicklock****Snowshoe Binding M-L****art. # 6643-925****Snowshoe toe Cover S-M-L****art. # 6574-925****PEAKMASTER**
Snowshoe 25**Size & load capacity:**

- T25 - bis 100 kg (baggage included)
- Binding M

Weight:

- T25 - 905 g/piece

Features:

- anodized High-Performance Aluminum Frame
- durable Hypalon decking
- Steel Front claw and middle claw for traction in different conditions
- Heel Lift
- Easy Step-In Binding in 3 sizes available

art. # 6577-10 T25 blue

NORDIC XC CX-80

Our carbon shafts are truly superior – unrivaled in the ratio of weight to stiffness. A guarantee for maximum speed.



SIZE CHART FOR CLASSIC & RACING

Person	Height (cm)	Stem Length (cm)
1	140	120
2	145	125
3	150	130
4	155	135
5	160	140
6	165	145
7	170	150
8	175	155
9	180	160
10	185	165
11	190	170
12	195	175
13	200	180



NORDIC XC CX-80



Tube can be cut to individual length to the optimal length for ambitious athletes

CX-80
our lightest and stiffest Carbon shafts

NORDIC CX-80 National Team

- Sizes:**
- individually adapted 140/150/160/170/180 cm
- Weight:**
- 148 g (155cm)
- Features:**
- especially nonslip Nordic 2K cork grip
 - Click-in race strap
 - Carbon, Ø 16mm
 - weight 80g/1500mm/bending 15mm
 - Nordic track UL basket
 - tungsten/carbide tip

art. # 520 23 25-10

NORDIC CX-80 Track Yellow

- Sizes:**
- 120-180 cm (in 5cm steps)
- Weight:**
- 150 g (155cm)
- Features:**
- especially nonslip Nordic 2K cork grip
 - Click-in race strap
 - Carbon, Ø 16mm
 - weight 80g/1500mm/bending 15mm
 - Nordic track UL basket
 - tungsten/carbide tip

ART. #520 23 26-10



NORDIC XC CX-100

Highest quality but still affordable Carbon poles with our new Click-in strap. So much easier to use and with a perfect ergonomic fit.



Get in with "Click",
go out with "Push".
Our new Click-in
system. Easier
it doesn't work.

SIZE CHART FOR SKATING

Person Height	Pole Length
140 cm	110 cm
145 cm	115 cm
150 cm	120 cm
155 cm	125 cm
160 cm	130 cm
165 cm	135 cm
170 cm	140 cm
175 cm	145 cm
180 cm	150 cm
185 cm	155 cm
190 cm	160 cm
195 cm	165 cm
200 cm	170 cm

SIZE CHART FOR CLASSIC & RACING

Person Height	Pole Length
140 cm	120 cm
145 cm	125 cm
150 cm	130 cm
155 cm	135 cm
160 cm	140 cm
165 cm	145 cm
170 cm	150 cm
175 cm	155 cm
180 cm	160 cm
185 cm	165 cm
190 cm	170 cm
195 cm	175 cm
200 cm	180 cm

NORDIC XC CX-100



natural cork grip
sweat absorbing
and light

extra stiff cx-100 shaft
improved transmission of force

**NORDIC CX-100
Cork**

Sizes:
• 120-180 cm (in 5cm steps)
Weight:
• 168 g (155cm)

Features:
• padded Nordic 2K Cork grip
• Click-In race strap
• Carbon, Ø 16mm
• weight 100g/150cm/bending 17.5mm
• Nordic trail UL basket
• tungsten/carbide tip

- art. # 520 23 27-10 yellow
- art. # 520 23 28-10 red
- art. # 520 23 29-10 blue
- art. # 520 23 30-10 pink

**NORDIC CX-100
Sport**

Sizes:
• 120-180 cm (in 5cm steps)
Weight:
• 170 g (155cm)

Features:
• especially nonslip Nordic 2K rubber grip
• Click-In race strap
• Carbon, Ø 16mm
• weight 100g/150mm/bending 17.5mm
• Nordic trail UL basket
• tungsten/carbide tip

- art. # 520 23 17-10 yellow
- art. # 520 23 18-10 red
- art. # 520 23 19-10 blue
- art. # 520 23 20-10 pink

NORDIC XC ADVENTURE



NORDIC Adventure Vario

Sizes:
- adjustable from 110 - 155 cm

- Features:**
- Nordic foam grip
 - padded Nordic strap
 - 2-sections:
Aluminum 7075, Ø 18/16 mm
 - Powerlock 3.0 mechanism
 - BC Nordic basket
 - Nordic steel tip

art. # 184 23 64-02 adult



NORDIC Adventure Vario

Sizes:
- adjustable from 110 - 155 cm

- Features:**
- Nordic foam grip
 - padded Nordic strap
 - 2-sections:
Aluminum 7075, Ø 18/16 mm
 - Powerlock 3.0 mechanism
 - BC Nordic basket
 - Nordic steel tip

art. # 164 23 18-10 junior



NORDIC Adventure

Sizes:
- 120 - 160 cm (in 5 cm steps)

- Features:**
- Nordic foam grip
 - padded Nordic strap
 - Aluminum 5086, Ø 16 mm
 - BC Nordic basket
 - Nordic steel tip

art. # 522 23 10-02



NORDIC Prime

Sizes:
- 120 - 160 cm (in 5 cm steps)

- Features:**
- XC cork grip
 - padded Nordic strap
 - Aluminum 5086, Ø 16 mm
 - XC standard basket
 - Nordic steel tip

art. # 522 23 11-12



NORDIC Classic

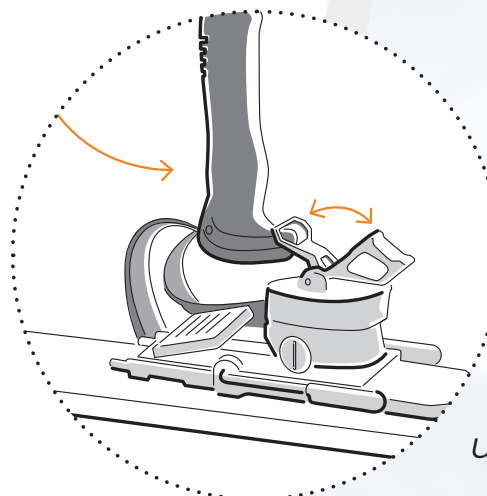
Sizes:
- Adult: 120 - 160 cm (in 5 cm steps)
- Junior: 90 - 115 cm (in 5 cm steps)

- Features:**
- Nordic XC grip
 - Nordic classic strap
 - Aluminum 5083, Ø 16 mm
 - XC standard basket
 - Nordic steel tip

art. # 522 11 02-10 adult
art. # 222 11 21-10 junior

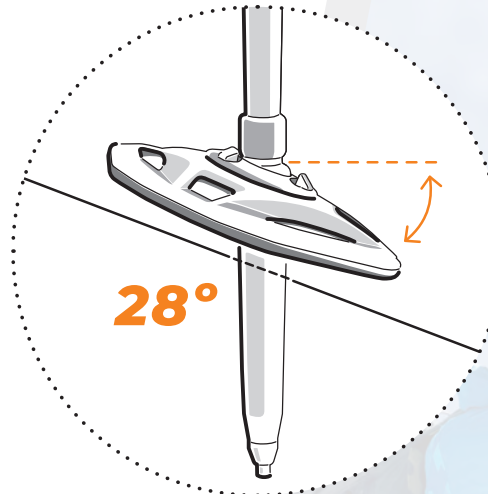
FREERIDE & TOURING

RACING ALPINE RENTAL NORDIC XC FREERIDE & TOURING SNOWSHOES PROTECTION TREKKING NORDIC WALKING ACCESSORIES



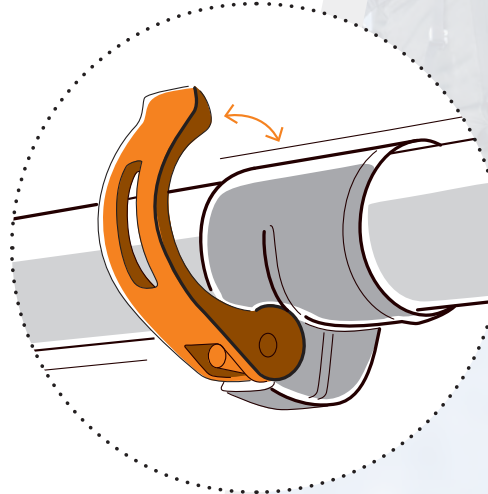
TOURING GRIPHEAD

Designed to adjust most touring bindings on the market. Often combined with an extended gripzone - a feature we invented 30 years ago - to make it possible to choke up on the pole on steep climbs and traverses.



ICE-FLEX BASKET

Large flotation baskets can prevent the tip to find a solid grip in steep terrain. Not so with our Ice-Flex system. It allows the basket to pivot up to 28° with the angle of the slope.



THE STRONGEST LOCKING MECHANISM ON THE MARKET

The Powerlock 3.0 is the only locking mechanism on the market which is completely made out of forged aluminum. It holds up to almost 200 kg - 300 % more than conventional molded locks - and is less affected by changing temperatures and cold conditions.



3 YEAR FREE REPAIR SERVICE

Komperdell stands for highest quality and truly unique service. We repair your poles, no matter what happened. And yes, even if you drive your car over it. Because for us, sustainability means a conscious, long-term approach to our environment - to nature and, above all, to our customers.



RACING ALPINE RENTAL NORDIC XC FREERIDE & TOURING SNOWSHOES PROTECTION TREKKING NORDIC WALKING ACCESSORIES

FREERIDE TEAM



 FELIX WIEMERS
Germany's best freerider



FATSO CARBON Team Vario

- Sizes:**
- packed size: 107cm
 - adjustable from 110-140cm

- Weight:**
- 257 g

- Features:**
- Fatso 430 grip
 - Powder Padded strap
 - 2-sections:
upper part: Aluminum 7075-T6, Ø16mm
lower part: Carbon, Ø14mm
 - Powerlock 3.0 mechanism
 - XL ice-flex basket
 - ice-flex tungsten carbide-tip

art. # 175 20 05-10

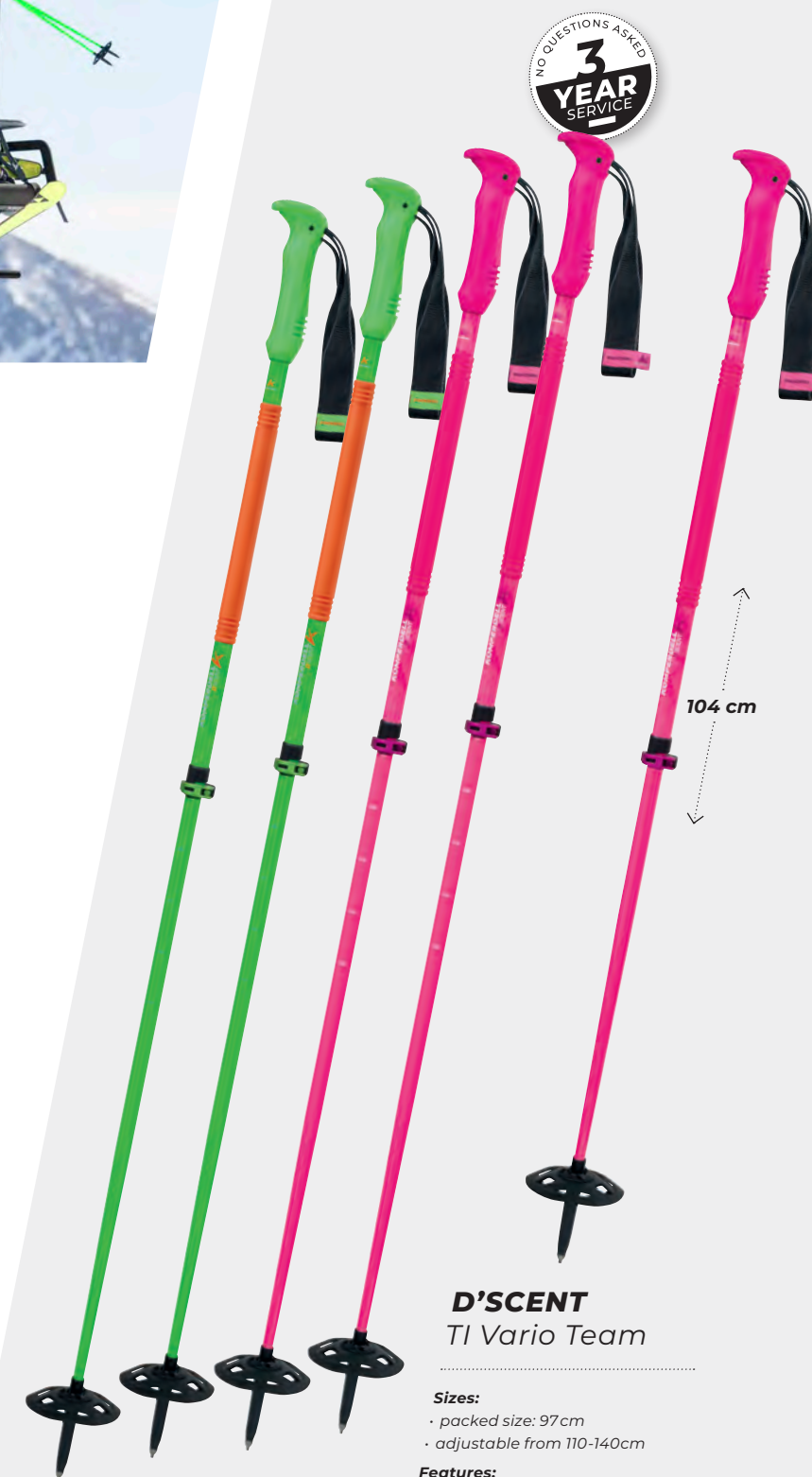


D'SCENT TI Freeride Team

- Sizes:**
- 110-135cm (in 5cm steps)

- Features:**
- 2K Touring Comfort grip
 - extended thermo grip zone
 - Comfort Padded strap
 - Aluminum 7075-T6 Titanal, Ø18mm
 - XL ice-flex basket
 - ice-flex tungsten carbide-tip

art. # 134 23 22-48



D'SCENT TI Vario Team

- Sizes:**
- packed size: 97cm
 - adjustable from 110-140cm

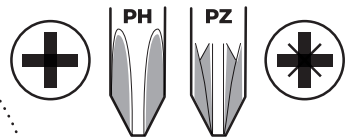
- Features:**
- 2K Touring Comfort grip
 - extended thermo grip zone
 - Comfort Padded strap
 - 2-sections:
upper part: Aluminum 7075-T6 Titanal, Ø18mm
lower part: Aluminum 7075-T6 Titanal, Ø16mm
 - Powerlock 3.0 mechanism
 - XL ice-flex basket
 - ice-flex tungsten carbide-tip

art. # 184 24 32-48 GreenTeam
art. # 184 24 34-14 MissPinky

FREERIDE VARIO

The D'scent. Designed for freeriders and serious backcountry skiing. Durability and great skiability were the goal in their development. Rock your off-road ride with Komperdell D'scent.

Tool grip
PH and PZ screwdrivers are integrated into the removable grip for easy adjustment of bindings etc.



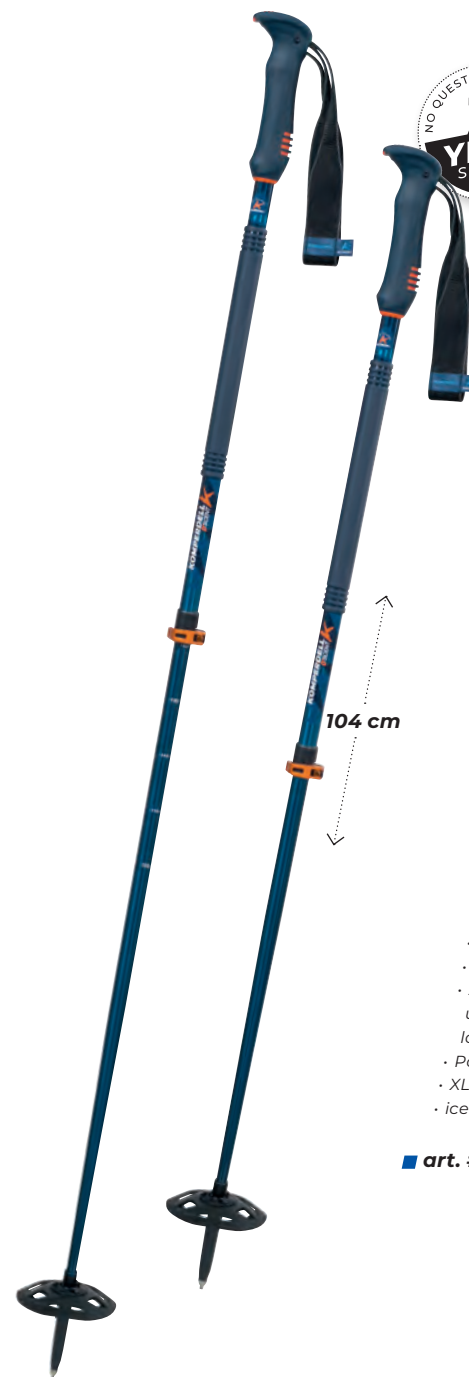
D'SCENT Backcountry Toolgrip Vario

- Sizes:**
- packed size: 97cm
 - adjustable from 110-140cm

- Features:**
- 2K Touring comfort grip
 - BC Tool grip
 - extended thermo grip zone
 - Comfort Padded strap
 - 2-sections:
 - upper part: Aluminum 7075-T6 Titalan, Ø18mm
 - lower part: Aluminum 7075-T6 Titalan, Ø16mm
 - Powerlock 3.0 mechanism
 - XL ice-flex basket
 - ice-flex tungsten carbide-tip

art. # 184 24 36-12

FREERIDE TI VARIO



104 cm

D'SCENT TI Vario

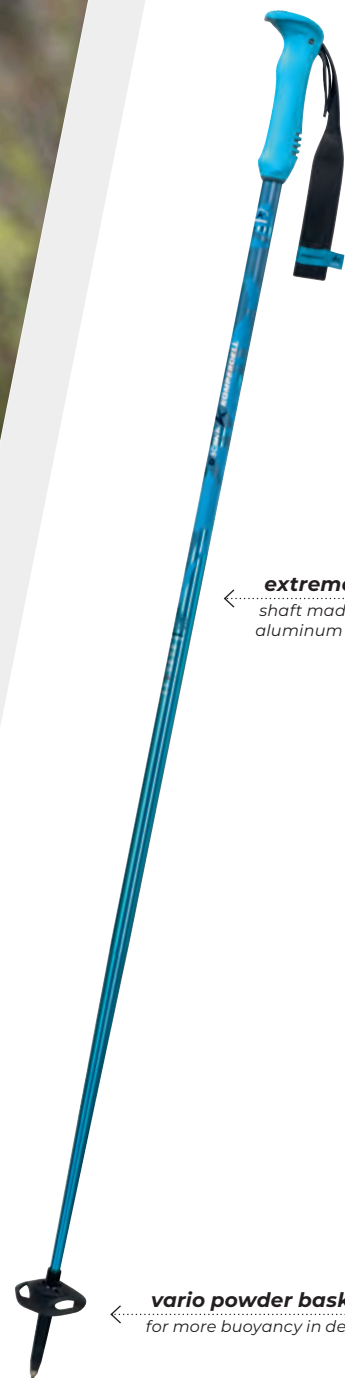
- Sizes:**
- packed size: 97cm
 - adjustable from 110-140cm

- Features:**
- 2K Touring Comfort grip
 - extended thermo grip zone
 - Comfort Padded strap
 - 2-sections:
 - upper part: Aluminum 7075-T6 Titalan, Ø18mm
 - lower part: Aluminum 7075-T6 Titalan, Ø16mm
 - Powerlock 3.0 mechanism
 - XL ice-flex basket
 - ice-flex tungsten carbide-tip

art. # 184 24 37-4 NavyDavy

FREERIDE

TI



← **non-slip grip**
with special design to
easily adjust touring
bindings

← **extremely robust**
shaft made of high-strength
aluminum 7075-T6

← **vario powder basket**
for more buoyancy in deep snow



D'SCENT TI

Sizes:
· 110-135cm (in 5cm steps)

Features:
· 2K Touring Comfort grip
· Comfort Padded strap
· Aluminum 7075-T6 Titanal, Ø18mm
· XL ice-flex basket
· ice-flex tungsten carbide-tip

- **art. # 134 23 17-4** NavyDavy
- **art. # 134 23 19-124** OceanMotion
- **art. # 134 23 16-12** BlackJack
- **art. # 134 23 20-68** RosieRose
- **art. # 134 23 18-33** BerryMary
- **art. # 134 23 23-10** BurntOrange

POWERLOCK 3.0

"The strongest lock and best reliability I have ever seen in a locking mechanism. An indispensable companion especially in demanding terrain – simply outstanding technology from Komperdell."

Gerlinde Kaltenbrunner, professional mountaineer



Easy handling
guarantees fast
adjustability in
extreme situations.

POWERLOCK 3.0

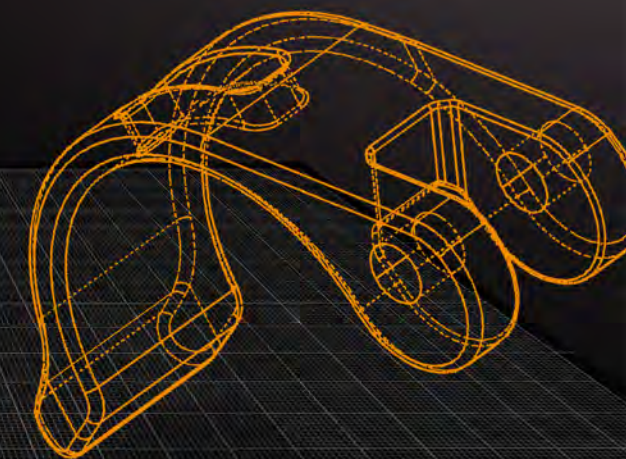
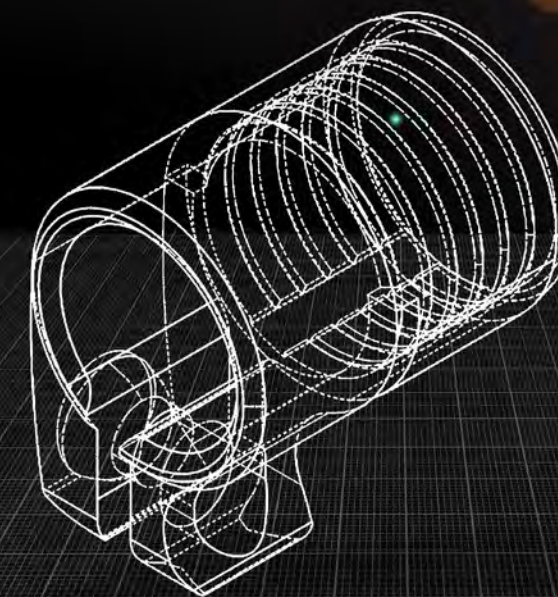
THE NEW GENERATION

+ ADVANTAGES AT A GLANCE

- + Best holding power (up to 200 kg)
- + 100% made of forged aluminum
(warrantor for a long lifetime)
- + Highest pressure load in comparative tests
- + 3-year free repair service on all parts



DEVELOPMENT KOMPERDELL



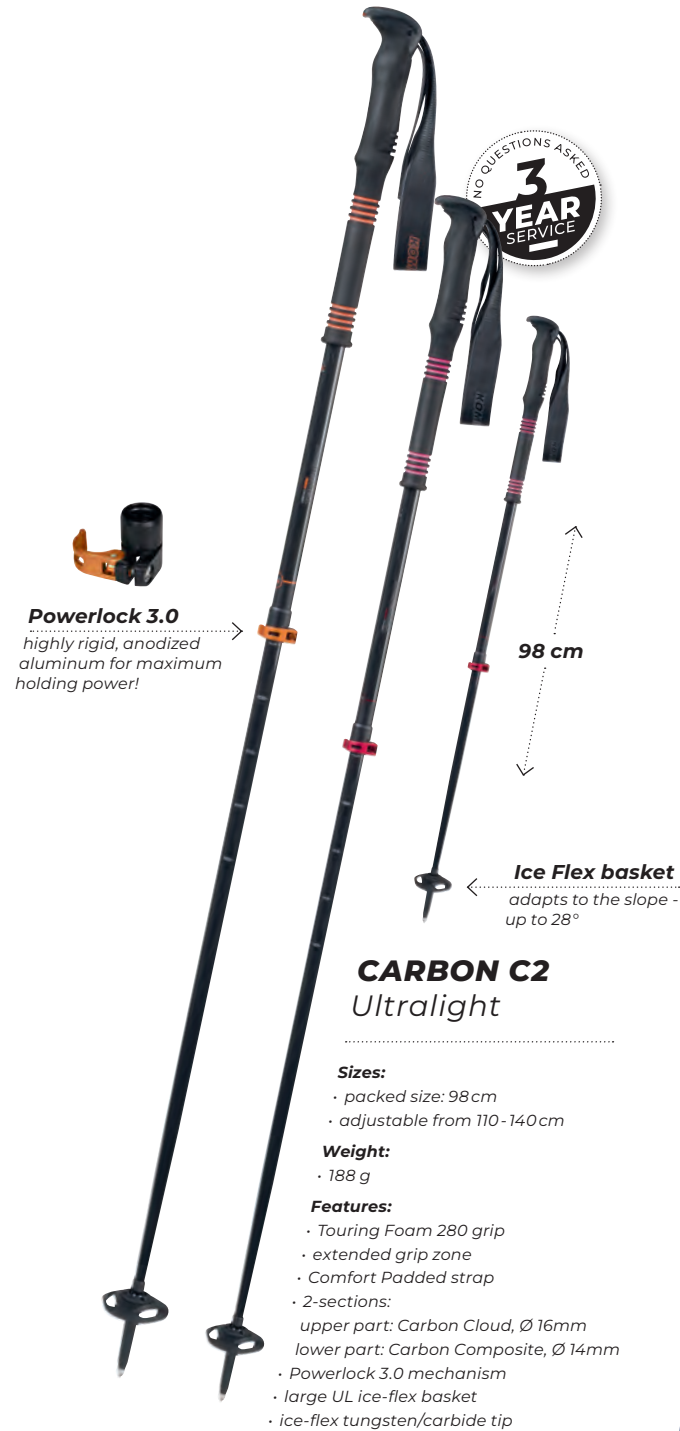
C2 ULTRALIGHT

We are the expert for carbon poles. We are the only brand developing, designing and manufacturing our shafts in our own facilities. On average, our poles are up to 25 % lighter than comparative poles on the market.

the lightest pole –
188 g only



TOURING ULTRA- LIGHT



Powerlock 3.0
highly rigid, anodized
aluminum for maximum
holding power!

Ice Flex basket
adapts to the slope -
up to 28°

CARBON C2 Ultralight

Sizes:
· packed size: 98 cm
· adjustable from 110 - 140 cm

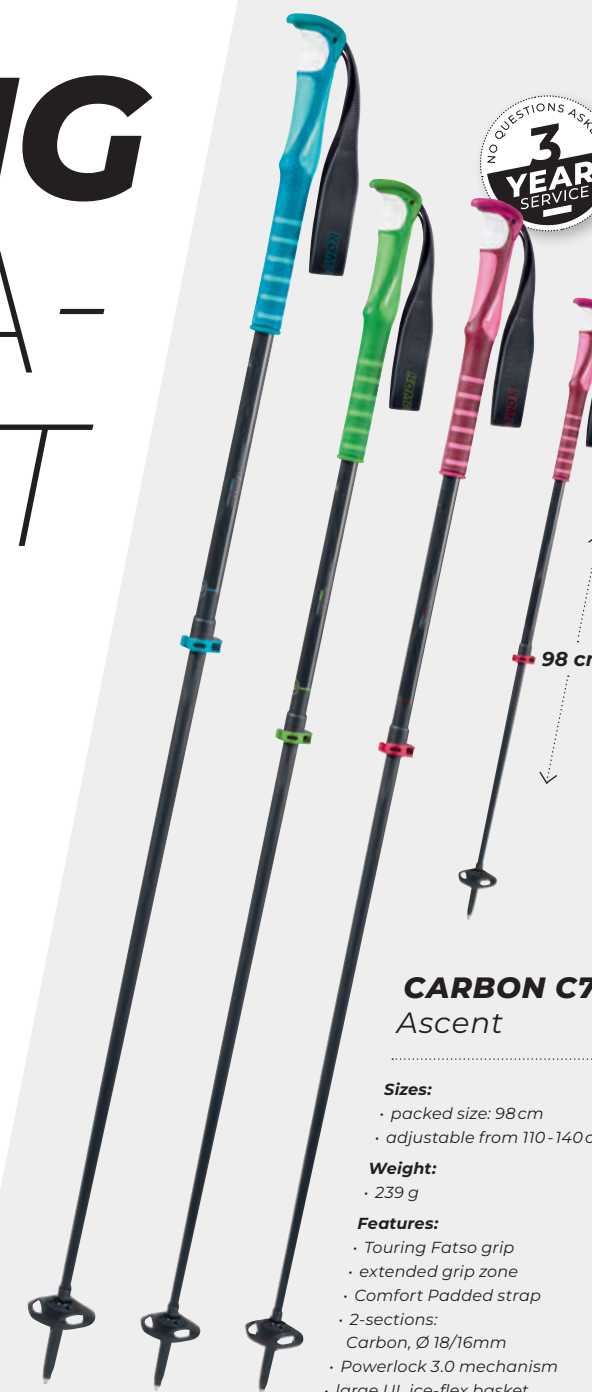
Weight:
· 188 g

Features:
· Touring Foam 280 grip
· extended grip zone
· Comfort Padded strap
· 2-sections:
upper part: Carbon Cloud, Ø 16mm
lower part: Carbon Composite, Ø 14mm
· Powerlock 3.0 mechanism
· large UL ice-flex basket
· ice-flex tungsten/carbide tip

■ art. # 175 23 75-10 orange
■ art. # 175 23 76-10 berry



NO QUESTIONS ASKED
3
YEAR
SERVICE



CARBON C7 Ascent

Sizes:
· packed size: 98 cm
· adjustable from 110 - 140 cm

Weight:
· 239 g

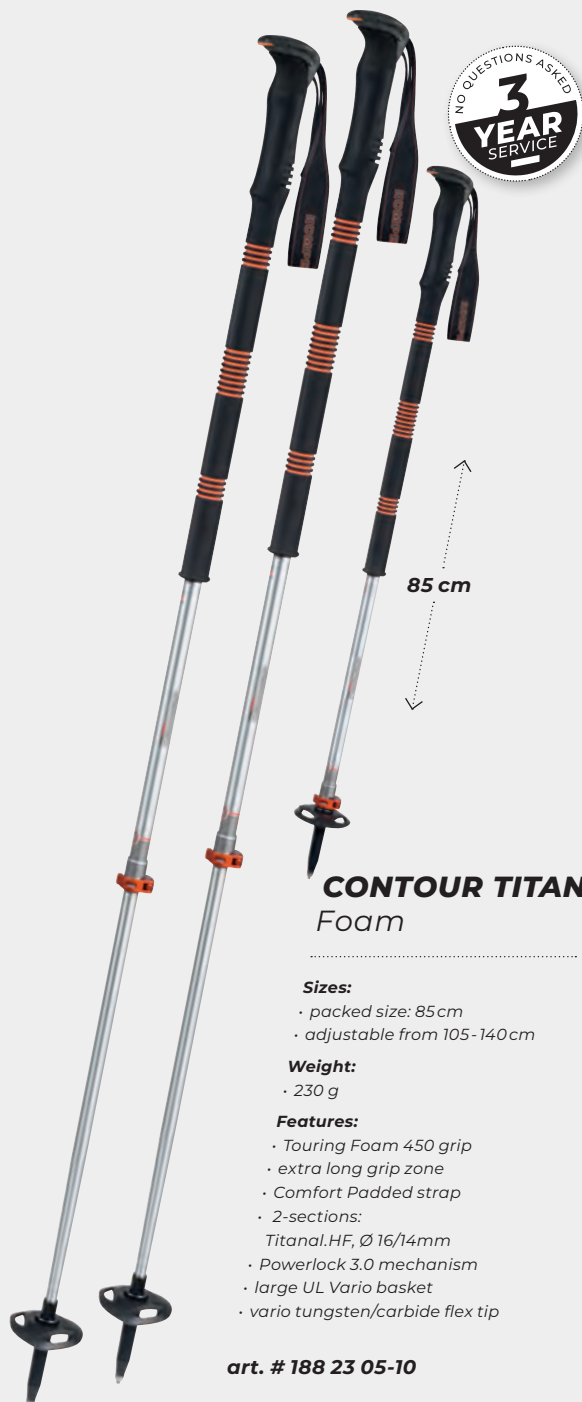
Features:
· Touring Fatso grip
· extended grip zone
· Comfort Padded strap
· 2-sections:
Carbon, Ø 18/16mm
· Powerlock 3.0 mechanism
· large UL ice-flex basket
· ice-flex tungsten/carbide tip

■ art. # 175 23 77-10 green
■ art. # 175 23 78-10 blue
■ art. # 175 23 79-10 berry



CONTOUR TITANAL

The ultra-light and almost indestructible pioneer among touring and backcountry poles has been part of our range for 20 years. Constantly improved, it is still the pole of choice for the truly passionate mountaineer.

**CONTOUR TITANAL II
Foam**

Sizes:
 · packed size: 85 cm
 · adjustable from 105 - 140 cm

Weight:
 · 230 g

Features:
 · Touring Foam 450 grip
 · extra long grip zone
 · Comfort Padded strap
 · 2-sections:
 Titanal.HF, Ø 16/14 mm
 · Powerlock 3.0 mechanism
 · large UL Vario basket
 · vario tungsten/carbide flex tip

art. # 188 23 05-10

**CONTOUR TITANAL II
Foam Pink**

Sizes:
 · packed size: 85 cm
 · adjustable from 105 - 140 cm

Weight:
 · 230 g

Features:
 · Touring Foam 450 grip
 · extra long grip zone
 · Comfort Padded strap
 · 2-sections:
 Titanal.HF, Ø 16/14 mm
 · Powerlock 3.0 mechanism
 · large UL Vario basket
 · vario tungsten/carbide flex tip

art. # 188 23 06-10



TOURING

TI

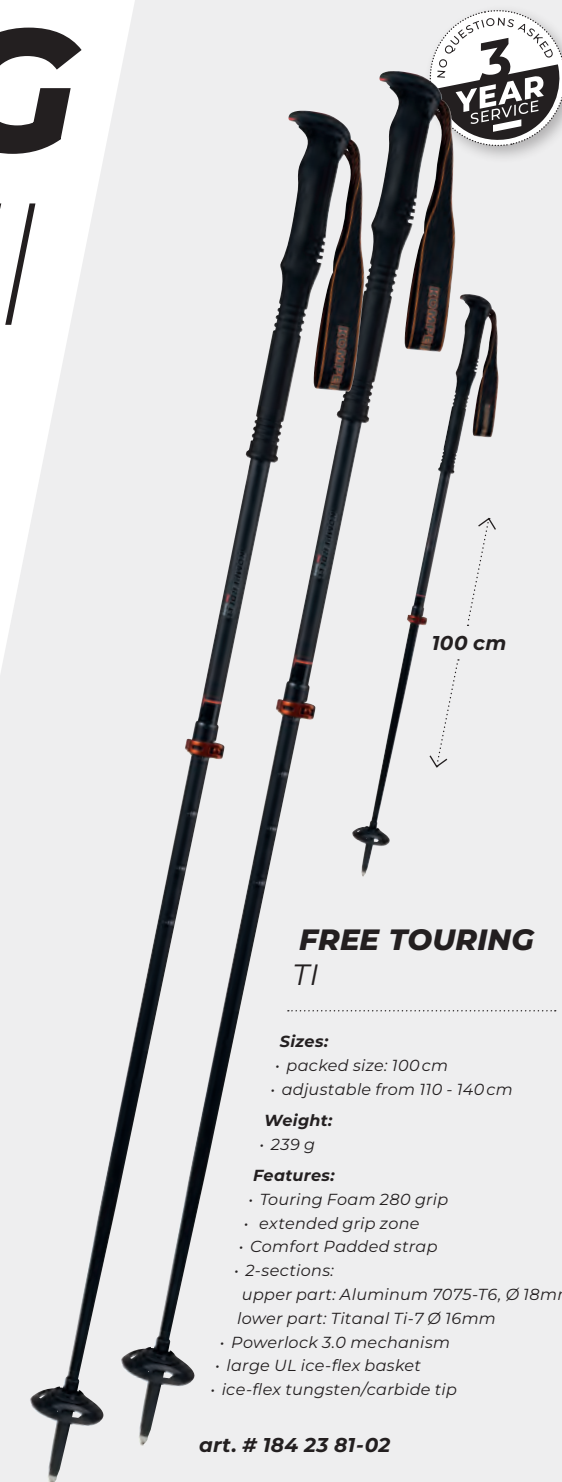
**FREE TOURING
Junior**

Sizes:
 · packed size: 95 cm
 · adjustable from 100 - 130 cm

Weight:
 · 225 g

Features:
 · Touring Foam Camo 280 grip
 · extended grip zone
 · Comfort Padded strap
 · 2-sections:
 Aluminum 7075-T6, Ø 18/16 mm
 · Powerlock 3.0 mechanism
 · regular UL Vario basket
 · vario tungsten/carbide flex tip

art. # 164 23 15-10

**FREE TOURING
TI**

Sizes:
 · packed size: 100 cm
 · adjustable from 110 - 140 cm

Weight:
 · 239 g

Features:
 · Touring Foam 280 grip
 · extended grip zone
 · Comfort Padded strap
 · 2-sections:
 upper part: Aluminum 7075-T6, Ø 18 mm
 lower part: Titanal Ti-7 Ø 16 mm
 · Powerlock 3.0 mechanism
 · large UL ice-flex basket
 · ice-flex tungsten/carbide tip

art. # 184 23 81-02



TOURING ALUMINUM

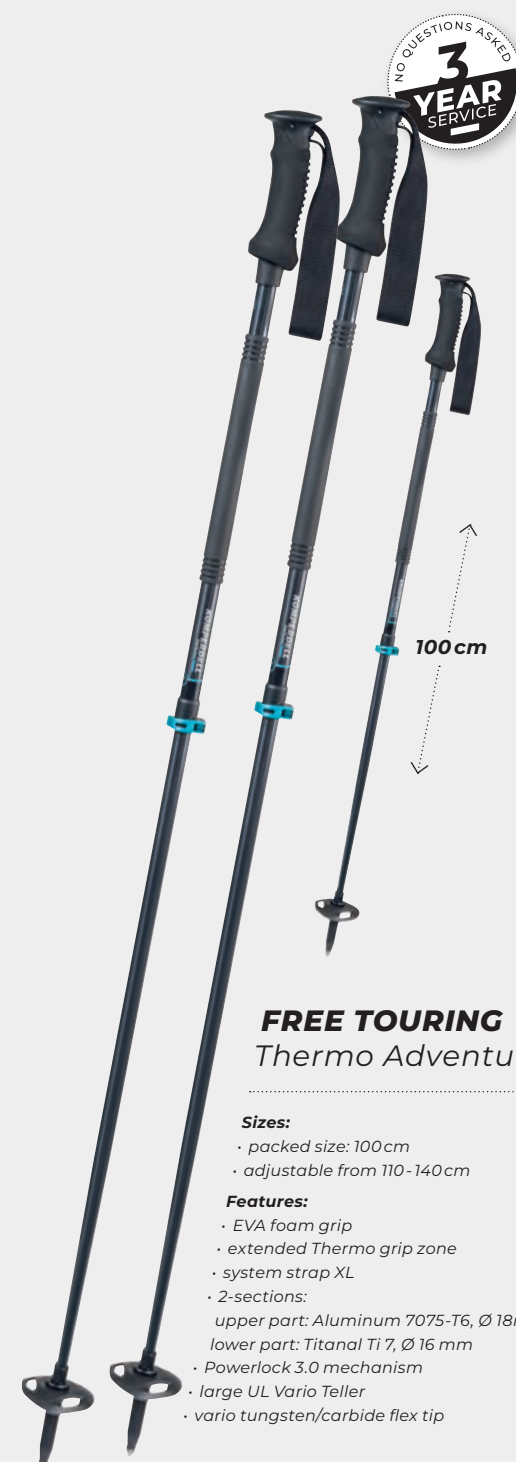


THERMO Ascent TI 3

- Sizes:**
- packed size: 72 cm
 - adjustable from 115-150 cm

- Features:**
- EVA foam grip
 - Thermogrip foam
 - system strap XL
 - 3-sections:
Aluminum 7075-T6, Ø 18/16/14 mm
 - Powerlock 3.0 mechanism
 - vario winter basket
 - vario tungsten/carbide flex tip

art. # 174 23 54-10



FREE TOURING Thermo Adventure

- Sizes:**
- packed size: 100 cm
 - adjustable from 110-140 cm

- Features:**
- EVA foam grip
 - extended Thermo grip zone
 - system strap XL
 - 2-sections:
upper part: Aluminum 7075-T6, Ø 18 mm
lower part: Titanal Ti 7, Ø 16 mm
 - Powerlock 3.0 mechanism
 - large UL Vario Teller
 - vario tungsten/carbide flex tip

art. # 184 23 94-10



T2 THERMO Adventure

- Sizes:**
- packed size: 85 cm
 - adjustable from 115-150 cm

- Features:**
- EVA foam grip
 - extended Thermo grip zone
 - system strap XL
 - 2-sections:
Aluminum 7075-T6, Ø 18/16 mm
 - Powerlock 3.0 mechanism
 - vario winter basket
 - vario tungsten/carbide flex tip

art. # 184 23 95-10

TOURING SPLIT- BOARDING

TREKKING
NORDIC WALKING
ACCESSORIES

PROTECTION
SNOWSHOES

FREERIDE & TOURING

NORDIC XC

RENTAL

ALPINE

RACING



43 cm

CARBON FXP.4 Expedition Vario

- Sizes:**
- packed size: 43 cm
 - adjustable from 120-140 cm

- Weight:**
- 248 g

Features:

- Touring Foam 280 grip
- extended grip zone
- Comfort Padded strap
- 4-section:
 - upper section: Aluminum 7075-T6, Ø 18mm
 - lower section: Carbon Composite with Rocksleeve, Ø 16mm
- Powerlock 3.0 mechanism
- FXP folding mechanism
- Regular UL FXP basket
- Ice-Flex tungsten/carbide tip

art. # 194 23 61-10

OutDoor
by ISPO
Outstanding Outdoor
Gold Winner 2019
an ISPO Award

NO QUESTIONS ASKED
3
YEAR
SERVICE



38 cm
5 cm smaller
packed size

CARBON FXP.4 Expedition Vario Compact

- Sizes:**
- packed size: 38 cm
 - adjustable from 105-125 cm

- Weight:**
- 237 g

Features:

- Touring Foam 280 grip
- extended grip zone
- Comfort Padded strap
- 4-section:
 - upper section: Aluminum 7075-T6, Ø 18mm
 - lower section: Carbon Composite with Rocksleeve, Ø 16mm
- Powerlock 3.0 mechanism
- FXP folding mechanism
- Regular UL FXP basket
- Ice-Flex tungsten/carbide tip

art. # 194 23 62-10

OutDoor
by ISPO
Outstanding Outdoor
Gold Winner 2019
an ISPO Award



TREKKING
NORDIC WALKING
ACCESSORIES

TREKKING

PROTECTION

SNOWSHOES

FREERIDE & TOURING

NORDIC XC

RENTAL

ALPINE

RACING



65 cm

CARBON CXP Pro

- Sizes:**
- packed size: 65 cm
 - adjustable from 105-140 cm

- Weight:**
- 241 g

Features:

- Touring Foam 450 grip
- Comfort Padded strap
- 3-sections:
 - upper part: Carbon, Ø 18 mm
 - middle section: Carbon, Ø 16 mm
 - lower part: Titanal.HF, Ø 14 mm
- Powerlock 3.0 mechanism
- large UL basket
- vario tungsten/carbide flex tip

art. # 175 23 54-10

BACKLINE
by ISPO
Outstanding Outdoor
Gold Winner 2019
an ISPO Award



POWERLOCK 3.0
highly rigid, anodized
aluminum for maximum
holding power!



98 cm

TITANAL EXP Pro

- Sizes:**
- packed size: 65 cm
 - adjustable from 105-140 cm

- Weight:**
- 262 g

Features:

- Touring Foam 450 grip
- Comfort Padded strap
- 3-sections:
 - Titanal.HF, Ø 18/16/14 mm
- Powerlock 3.0 mechanism
- large UL basket
- vario tungsten/carbide flex tip

art. # 174 23 55-10

AMAG
ROLLING

TOURING SPEED CARBON



SPEED TOUR Carbon Vario

- Sizes:**
· adjustable from 110-140cm
- Weight:**
· 172 g
- Features:**
· Trail Pro Cork 245 grip
· Trail Click-In 2.1 strap
· 2-sections:
Carbon, Ø 18/16mm
· Nordic Speed basket
· ice flex tip

art. # 175 23 65-10



SPEED TOUR Carbon Pro

- Sizes:**
· 115-145cm (in 5cm steps)
- Weight:**
· 168 g (125cm)
- Features:**
· Trail Pro Cork 245 grip
· Trail Click-In 2.1 strap
· CX-100 Carbon
· Nordic Speed basket
· ice flex tungsten/carbide tip

art. # 148 23 44-10



SPEED TOUR Carbon

- Sizes:**
· 115-145cm (in 5cm steps)
- Weight:**
· 154 g (125cm)
- Features:**
· EVA Cork Click-In Nordic grip
· NW Click-In 2.0 strap
· CX-100 Carbon
· Nordic BC basket
· tungsten/carbide tip

art. # 148 23 44-10



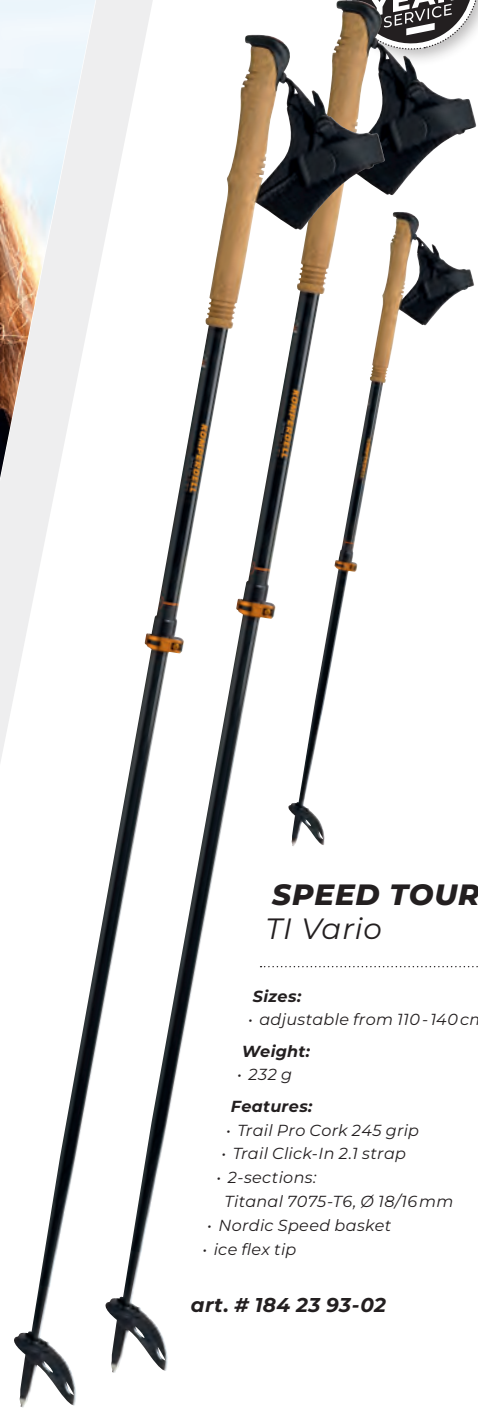
Trail Click-In 2.1
strap

POWDER PADDED STRAP
sold separately



TOURING SPEED

TI



SPEED TOUR TI Vario

Sizes:
• adjustable from 110-140cm

Weight:
• 232 g

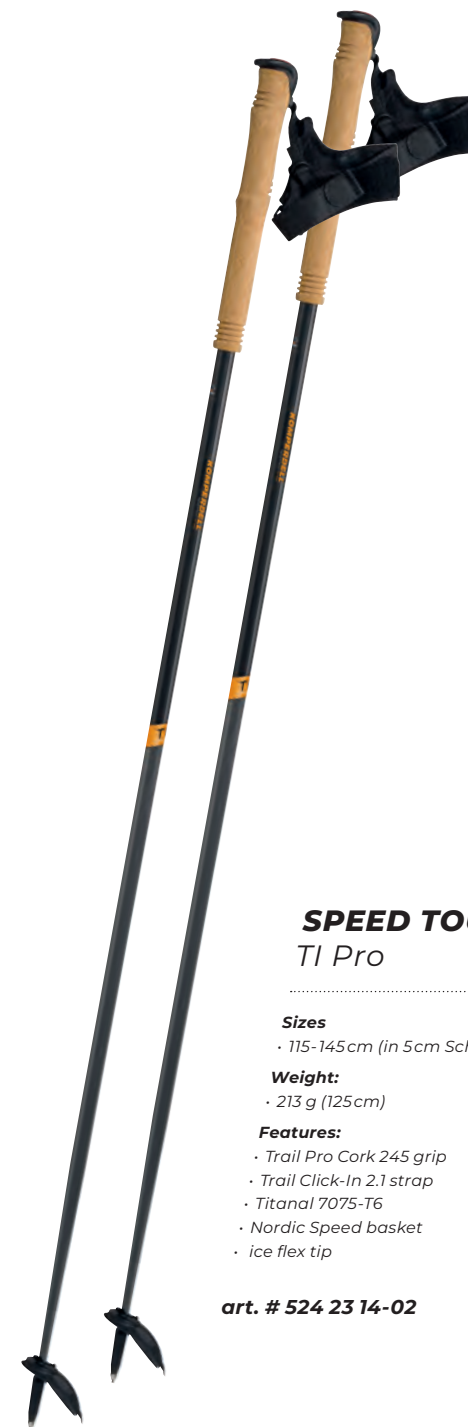
Features:
• Trail Pro Cork 245 grip
• Trail Click-In 2.1 strap
• 2-sections:
Titanal 7075-T6, Ø 18/16mm
• Nordic Speed basket
• ice flex tip

art. # 184 23 93-02

POWDER PADDED STRAP
sold separately



**Trail Click-In 2.1
strap**



SPEED TOUR TI Pro

Sizes:
• 115-145cm (in 5cm Schritten)

Weight:
• 213 g (125cm)

Features:
• Trail Pro Cork 245 grip
• Trail Click-In 2.1 strap
• Titanal 7075-T6
• Nordic Speed basket
• ice flex tip

art. # 524 23 14-02



SPEED TOUR TI

Sizes:
• 115-145cm (in 5cm steps)

Weight:
• 193 g (125cm)

Features:
• EVA Cork Click-In Nordic grip
• NW Click-In 2.0 strap
• Titanal 7075-T6
• Nordic BC basket
• tungsten/carbide tip

art. # 524 23 15-02



SNOWSHOE SERIES

RACING ALPINE RENTAL NORDIC XC FREERIDE & TOURING SNOWSHOES PROTECTION TREKKING NORDIC WALKING ACCESSORIES



THE LIGHTEST SNOWSHOE ON THE MARKET

Our Carbon airframe is the world's first full Carbon snowshoe. Changing the material for both the frame and the decking saves up to 50 % in weight without sacrificing strength.

MAXIMUM TRACTION

Stainless steel rail claws, are laminated directly into the frame and provide tons of traction on ice and hard packed snow.

KEEP YOUR FEET WARM AND DRY

The insulated neoprene toe covers keep your feet warm and dry in deep snow and cold conditions. It can be attached to any binding in our program.

NEW QUICKLOCK BINDING

The new Quicklock binding is a true game changer. It is super easy to get in, provides a solid connection to the snowshoe and works with almost any type of shoe. From lightweight running shoes to heavy duty cold weather boots.



Best binding on the market.

RACING ALPINE RENTAL NORDIC XC FREERIDE & TOURING SNOWSHOES PROTECTION TREKKING NORDIC WALKING ACCESSORIES

CARBON SNOWSHOES

100% Carbon! We offer the lightest snowshoe on the market. The result is truly amazing - 50 % less weight on your foot makes all the difference! You will feel it with every single step.



QUICKLOCK BINDING

super easy to adjust, fitting all sizes and types of boots and offering perfect hold

CARBON AIR FRAME 25

Size Binding:

- M, L

Weight:

- 691 g/piece

Features:

- integral built Carbon decking
- hollow-core Carbon frame – especially light Carbon frame, 50% less weight
- ice-rail claws – incredible traction on ice and hard packed snow
- New Quicklock binding – super easy to adjust, fitting all sizes and types of boots and offering perfect hold
- Toe Cover

art. # 6508-10



Best binding on the market.



Snowshoe toe cover included

CARBON SNOWSHOES



QUICKLOCK BINDING

super easy to adjust, fitting all sizes and types of boots and offering perfect hold

COMPOSITE AIR FRAME

Size Binding:

- M, L

Weight:

- 720 g/piece

Features:

- integral built Composite decking
- hollow-core Composite frame – especially light Composite frame, 40% less weight
- ice-rail claws for optimal traction
- New Quicklock binding – super easy to adjust, fitting all sizes and types of boots and offering perfect hold
- Toe Cover

art. # 6368-10



Best binding on the market.



Snowshoe toe cover included

NORDIC WALKING ACCESSORIES
TREKKING
PROTECTION
SNOWSHOES
FREERIDE & TOURING
NORDIC XC
RENTAL
ALPINE
RACING

NORDIC WALKING ACCESSORIES
TREKKING
PROTECTION
SNOWSHOES
FREERIDE & TOURING
NORDIC XC
RENTAL
ALPINE
RACING

ALUMINUM SNOWSHOES

Indestructible yet lightweight and easy to use- The high performance aluminum frame and the Hypalon Decking make the snowshoes durable and lightweight. The new Quicklock Bindings are super easy to get in and provide a solid connection with the snowshoe. The perfect allrounder for light to medium terrain.



PEAKMASTER PRO Snowshoe 30

Size & load capacity:
 · T30 - up to 120 kg (baggage included)
 · Binding L

Weight:
 · T30 - 975 g/piece

Features:
 · anodized High-Performance Aluminum Frame
 · durable Hypalon decking
 · steel front claw and middle claw for traction in different conditions
 · Heel Lift
 · comfortable Quicklock Binding

art. # 6368-10 T30 red



Best binding on the market.



OPTIONAL

Snowshoe toe Cover S-M-L
 · keeps your feet dry and warm
 · easy attachment to the binding by push button system

art. # 6574-925

ALUMINUM SNOWSHOES

PEAKMASTER PRO Snowshoe 22

Size & load capacity:
 · T22 - up to 80 kg (baggage included)
 · Binding M

Weight:
 · T22 - 833 g/piece

Features:
 · anodized High-Performance Aluminum Frame
 · durable Hypalon decking
 · steel front claw and middle claw for traction in different conditions
 · Heel Lift
 · comfortable Quicklock Binding

art. # 6642-10 T22 ribes



Best binding on the market.



OPTIONAL

Snowshoe toe Cover S-M-L
 · keeps your feet dry and warm
 · easy attachment to the binding by push button system

art. # 6574-925



OPTIONAL

Snowshoe toe Cover S-M-L
 · keeps your feet dry and warm
 · easy attachment to the binding by push button system

art. # 6574-925



PEAKMASTER PRO Snowshoe 25

Size & load capacity:
 · T25 - up to 100 kg (baggage included)
 · Binding M

Weight:
 · T25 - 905 g/piece

Features:
 · anodized High-Performance Aluminum Frame
 · durable Hypalon decking
 · steel front claw and middle claw for traction in different conditions
 · Heel Lift
 · comfortable Quicklock Binding

art. # 6641-10 T25 blue



Best binding on the market.

RACING ALPINE RENTAL NORDIC XC FREERIDE & TOURING SNOWSHOES PROTECTION TREKKING NORDIC WALKING ACCESSORIES

RACING ALPINE RENTAL NORDIC XC FREERIDE & TOURING SNOWSHOES PROTECTION TREKKING NORDIC WALKING ACCESSORIES

SNOWSHOE ACCESSORIES



SNOWSHOE TOE COVER

Sizes:

- S, M, L

Features:

- keeps your feet dry and warm
- easy attachment to the binding by push button system

art. # 6574-925



SNOWSHOE GAITER

Sizes:

- S, L

Features:

- protects from wind, moisture and cold
- optimal fit, easy length adjustment with cord

art. # 6575-925



TPU SNOWSHOE BINDING

Size Binding:

- S, M, L

Features:

- separate Easy-Step-In Binding
- suitable for common outdoor shoes
- optimal, comfortable fitting

art. # 6572-925



SNOWSHOE SOCKS Titanium 0,5 mm

Sizes:

- from 35/36 to 47/48

Features:

- Seamless Bonding System for best wearing comfort
- suitable for common outdoor shoes
- keeps your feet dry and warm

art. # 6573-925



QUICKLOCK Snowshoe Binding

Size Binding:

- M, L

Features:

- separate Quicklock Binding with lacing system
- suitable for common outdoor shoes
- optimal, comfortable fitting

art. # 6643-925



PROTECTION

RACING ALPINE RENTAL NORDIC XC FREERIDE & TOURING SNOWSHOES PROTECTION TREKKING NORDIC WALKING ACCESSORIES



AWARD WINNING PROTECTOR TECHNOLOGY



Our technology is market leading. We are the only brand to develop our own protector. Both the foam and the protector are proprietary. We have the lowest residual force levels and the largest continuously protected area. Our protector technology has already won more than 50 international awards.



ONE-STOP INNOVATION



The protector as well as the garment are developed in our headquarters in Mondsee. We control every step from the first idea up to the final product. In addition to our own brand, we develop, design and manufacture protectors for some of the world's leading motorcycle and workwear brands.

25 YEARS KNOW-HOW



We have always been true innovators and market leaders. When we started with protection 25 years ago, we created the look and feel of the modern protector as we know it today. We were the pioneer brand offering an alternative to the hardshell protector of that era and have always led the market in both comfort and protective properties.



RACING ALPINE RENTAL NORDIC XC FREERIDE & TOURING SNOWSHOES PROTECTION TREKKING NORDIC WALKING ACCESSORIES

WINTERSPORTS

We are the only brand to not only develop and manufacture the garment but also the protector itself. This gives us the opportunity to perfectly match protector and garment. Over the years we have been able to constantly improve our protector systems, so that our new protectors are once again 25% lighter and more flexible.

RACING ALPINE RENTAL ALPINE FREERIDE & TOURING NORDIC XC RENTAL NORDIC XC FREERIDE & TOURING SNOWSHOES PROTECTION TREKKING NORDIC WALKING ACCESSORIES



A completely new protector

As the only protector brand we design, develop and manufacture our protector inserts by ourself. For the new generation of our Cross Flex protectors we have developed a new impact foam, 25% lighter but still with identical protective properties.



- WASHABLE**
- UNLIMITED MULTI IMPACT CAPABILITY**
- 100% BREATHABLE**
- TOP RESIDUAL FORCE VALUES 5,93 kN**

unlimited multiple impact capability

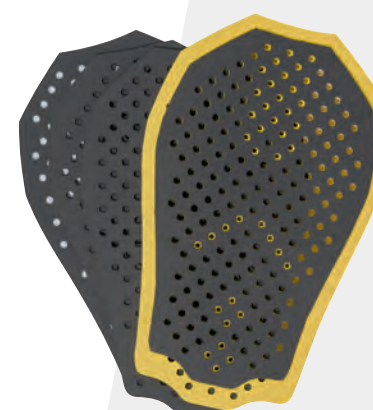
clever multilayer system
breathable and flexible, fits perfectly on the back

absorbs up to 93% of the impact energy
top residual force

washable
our products can be washed without problems

CROSSFLEX ATHLETIC

A COMPLETELY NEW PROTECTOR SYSTEM



New protector foam
our new foam is up to 25% lighter with the same impact protection

CrossFlex Athletic
25% lighter, perfectly ventilated and more flexible

- NEW**
- 25% LIGHTER**

25% lighter, more flexible and perfect breathable

2

Due to our signature multilayer construction and the seamless integration the protector perfectly matches the garment. 3D Mesh on the protector provides additional ventilation.



RACING ALPINE RENTAL ALPINE FREERIDE & TOURING NORDIC XC RENTAL NORDIC XC FREERIDE & TOURING SNOWSHOES PROTECTION TREKKING NORDIC WALKING ACCESSORIES

BALLISTIC SYSTEM

Our new Ballistic System combines two brilliant products in one: The chest protector can be replaced by a normal strap system so that it turns into a Backpack – unique and only from Komperdell.



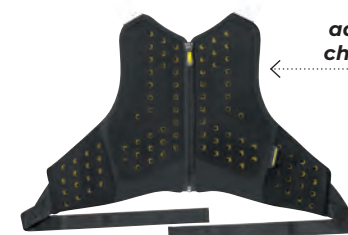
1 System =
2 brilliant products

PROTECTION ATHLETIC

BRAND
NEW



2-in-1 strap-on protector
exchangeable strap system
turns your strap-on protector into a
complete 360° protector



**adaptive
chest protection**

BALLISTIC PACK

Sizes:
· XS - XL

- Features:**
- multilayer Cross Flex Center-Back-protector made of adaptive dual-density foam, EN-approved 1621-2
 - ultimate mobility
 - slim kidney-belt for the perfect fit, adjustable with velcro fastener
 - Nutrition pocket at the lower back

■ art. # 6610-206 unisex

BALLISTIC SET

Sizes:
· XS - XL

- Features:**
- multilayer Cross Flex Center-Back-protector made of adaptive dual-density foam, EN-approved 1621-2
 - ultimate mobility
 - removable chest protection, strap attached separately
 - slim kidney-belt for the perfect fit, adjustable with velcro fastener
 - Nutrition pocket at the lower back

■ art. # 6602-206 unisex



BALLISTIC & ARMOUR

Our iconic Ballistic Vests provide the highest level of protection on the market. Additional chest and rib protectors give you true 360° protection.



PROTECTION ATHLETIC



♂

**BALLISTIC FLEX FIT**

Sizes:
• Men: XXS-XXL
• Women: XXS-XL

Features:
• multilayer Cross Flex back-protector, made of adaptive dual-density foam, EN-approved 1621-2
• light and flexible
• highest safety values - 360° all around protection
• for ultimate mobility
• front zip

■ **art. # 6454-212** men
■ **art. # 6453-212** women

**ARMOUR VEST**

Sizes:
• XS - XXL

Features:
• multilayer Cross Flex back-protector made of adaptive dual-density foam, EN-approved 1621-2
• light and flexible
• protection on the side to safeguard ribs and organs
• semi-removable chest protectors
• front zip

art. # 6600-206 unisex

**BRAND
NEW**

**semi-removable
chest protectors**
certified according to
the motorcycle
standard EN 1621-3

protector insert
on the side

extra strong, elastic
rubber binding
to ensure a secure hold



AIR VEST

Perfect combination of safety and comfort. The Air Vest Models are so light and flexible that you hardly notice them when skiing. A lightweight protector for ultimate mobility and exceptional ventilation.

NORDIC WALKING
ACCESORIES
TREKKING

PROTECTION

SNOWSHOES

FREERIDE & TOURING

NORDIC XC

RENTAL

ALPINE

RACING



PROTECTION ATHLETIC



BRAND
NEW

semi-removable chest protectors
certified according to the motorcycle standard EN 1621-3

AIR VEST LIGHT

- Sizes:**
- Men: XS-XXL
 - Women: XS-XL
- Features:**
- multilayer Cross Flex back-protector made of adaptive dual-density foam, EN-approved 1621-2
 - extra light
 - optimized silhouette
 - front zip

art. # 6597-206 men
art. # 6611-209 women

AIR VEST +

- Sizes:**
- unisex, XS - XL
- Features:**
- multilayer Cross Flex back-protector made of adaptive dual-density foam, EN-approved 1621-2
 - light and flexible
 - semi-removable chest protectors
 - front zip

art. # 6599-206

SKI
MAGA
ZIN
TIPP
SICHERHEIT

extra strong, elastic rubber binding
to ensure a secure hold



BRAND
NEW

NORDIC WALKING
ACCESORIES
TREKKING

PROTECTION

SNOWSHOES

FREERIDE & TOURING

NORDIC XC

RENTAL

ALPINE

RACING

PROTECTION ATHLETIC



PRO VEST LIGHT

Sizes:
· S - XXL

- Features:
- multilayer Cross Flex back-protector made of adaptive dual-density foam, EN-approved 1621-2
 - protection on the side to safeguard ribs and organs
 - light and flexible
 - front zip

art. # 6661-202 men

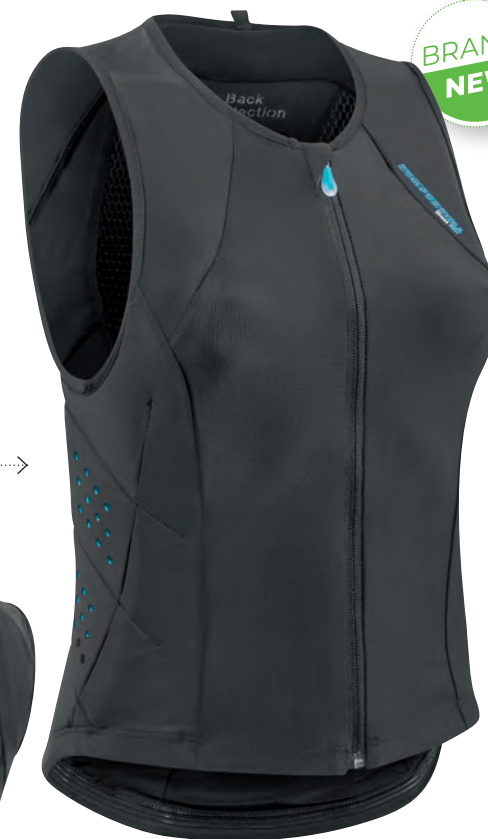
BRAND NEW



protector insert on the side



protector insert on the side



BRAND NEW

PRO VEST LIGHT

Sizes:
· XS - XL

- Features:
- multilayer Cross Flex back-protector made of adaptive dual-density foam, EN-approved 1621-2
 - protection on the side to safeguard ribs and organs
 - light and flexible
 - front zip

art. # 6662-240 women



PROTECTION CASUAL



Hoody
made of super-soft fleece,
snugly & warm



FULL ZIP HOODY

Sizes:
• Men: XS - XXL
• Women: XXS - XL

Features:
• multilayer Cross FLEX back-protector, made of adaptive dual-density foam, EN-approved 1621-2
• made of comfortably fitting fleece
• 4-way stretch- material
• hood with draw-string
• integrated kidney-belt, adjustable with velcro fastener

art. # 6353-207 men
art. # 6356-240 women

Kangaroo Pockets



Cross Flex Protector
the safest protection –
EN 1621-2



FULL ZIP SWEATER Bond Material

Sizes:
• Men: XS - XXL
• Women: XXS - XL

Features:
• multilayer Cross FLEX back-protector, made of adaptive dual-density foam, EN-approved 1621-2
• made of comfortably fitting fleece
• 4-way stretch- material
• integrated kidney-belt, adjustable with velcro fastener
• front zip

art. # 6354-207 men
art. # 6357-240 women



FULL ZIP SWEATER Sonic Material

Sizes:
• Men: XS - XXL
• Women: XXS - XL

Features:
• multilayer Cross FLEX back-protector, made of adaptive dual-density foam, EN-approved 1621-2
• made of comfortably fitting fleece
• 4-way stretch- material
• integrated kidney-belt, adjustable with velcro fastener
• front zip

art. # 6354-202 men
art. # 6357-209 women



Cross Flex Protector
the safest protection –
EN 1621-2

PROTECTION CASUAL



**breathable,
wind- & waterproof**
due to stretch laminate



SOFTSHELL VEST

Sizes:
• Men: XS - XL
• Women: XS - XL

Features:
• multilayer Cross 6.0 back-protector, made of adaptive dual-density foam, EN-approved 1621-2
• chest pocket
• inside pockets with zip
• Nutrition pocket only on the men's model
• reflective prints
• front zip

■ **art. # 6605-206** men
■ **art. # 6606-209** women



**best cold & wind
protection**
due to thermo-insulating,
extra light technical
materials

THERMOVEST

Sizes:
• Men: S - XXL

Features:
• multilayer Cross 6.0 back-protector, made of adaptive dual-density foam, EN-approved 1621-2
• innovative material-mix: extra-light light shell material combined with smart breathable thermo-padding
• removeable hood stormproof
• concealed chest pocket with zip & 2 concealed side-pockets

■ **art. # 6351-207** men



**removeable
hood**
fully customizable
with draw-string and
rubber cord



integrated kidney-belt
adjustable with
velcro-fastener

BALLISTIC PRO JUNIOR

Because only the best protection is good enough for our kids. We are the only brand to provide 360° protection in most of our kids vests. Although fully protected, the vests are lightweight, stretchy and super comfortable to wear.

NORDIC WALKING
TREKKING
PROTECTION
SNOWSHOES
FREERIDE & TOURING
NORDIC XC
RENTAL
ALPINE
RACING



PROTECTION KIDS CORNER



automatic width adjustment without loss of protection

Cross 6.0 Protector the safest protection – EN 1621-2 Level 2

40% better protection – Level 2 certified

ultimate freedom of movement

PRO SHORTS Junior

Sizes:
· 116 - 152

Features:
· comfortable foam material for optimal protection of hips
· slip-proof rubber band at waist and legs

art. # 6133-02



BALLISTIC FLEX FIT PRO JUNIOR

Sizes:
· 116 - 152

Features:
· multilayer Cross 6.0 back-protector, made of adaptive dual-density foam, EN-approved 1621-2 level 2
· 360° all around protection - top protection values
· automatic width adjustment
· extremely lightweight & breathable protector
· best safety values
· with front zipper – easier to put on and take off
· unlimited freedom of movement
· improved ergonomics

art. # 6457-212



NORDIC WALKING
TREKKING
PROTECTION
SNOWSHOES
FREERIDE & TOURING
NORDIC XC
RENTAL
ALPINE
RACING

PROTECTION KIDS CORNER

RACING ALPINE RENTAL FREERIDE & TOURING NORDIC XC SNOWSHOES TREKKING NORDIC WALKING ACCESORIES



BALLISTIC VEST JUNIOR

Sizes:
· 104 - 152

Features:
· multilayer Cross 6.0 Junior back protector made of adaptive dual-density foam, EN-approved 1621-2
· 360° all around protection - top protection values
· light and flexible!

■ art. # 6321-208
■ art. # 6321-209



AIR VEST JUNIOR

Sizes:
· 116 - 152

Features:
· multilayer Cross 6.0 Junior back protector made of adaptive dual-density foam, EN-approved 1621-2
· top protection values
· light and flexible

■ art. # 6450-18
■ art. # 6452-243



RACING ALPINE RENTAL FREERIDE & TOURING NORDIC XC SNOWSHOES PROTECTION TREKKING NORDIC WALKING ACCESORIES

RACING PROTECTION



RACE PACK

Sizes:
 · Adult: XXS-XL
 · Junior: 116-152

Features:
 · multilayer Cross Flex back-protector made of adaptive dual-density foam, EN-approved 1621-2
 · confirms to FIS regulations
 · anatomic shaped back part
 · new preshaped strap system for best fit - shoulder it like a backpack
 · protector insert visible - part of the design concept
 · ultimate freedom of movement
 · slim kidney belt for perfect fit, adjustable with velcro and plush

art. # 6618-208 adult
art. # 6619-208 junior

kidney belt →



BRAND NEW

PROTECTOR Slalom Shirt

Sizes:
 · Adult: XS-XL
 · Junior: 116-152

Features:
 · perfect breathability, comfortable to wear
 · body-shape cut
 · multilayer protectors made of dual-density foam
 · perfect protection of shoulders, shoulderblades and arms
 · specially shaped back for perfect combination with the FIS approved Race Pack

art. # 6283-02 adult
art. # 6284-02 junior



Back protection
 multilayer Cross 6.0 protector for perfect protection

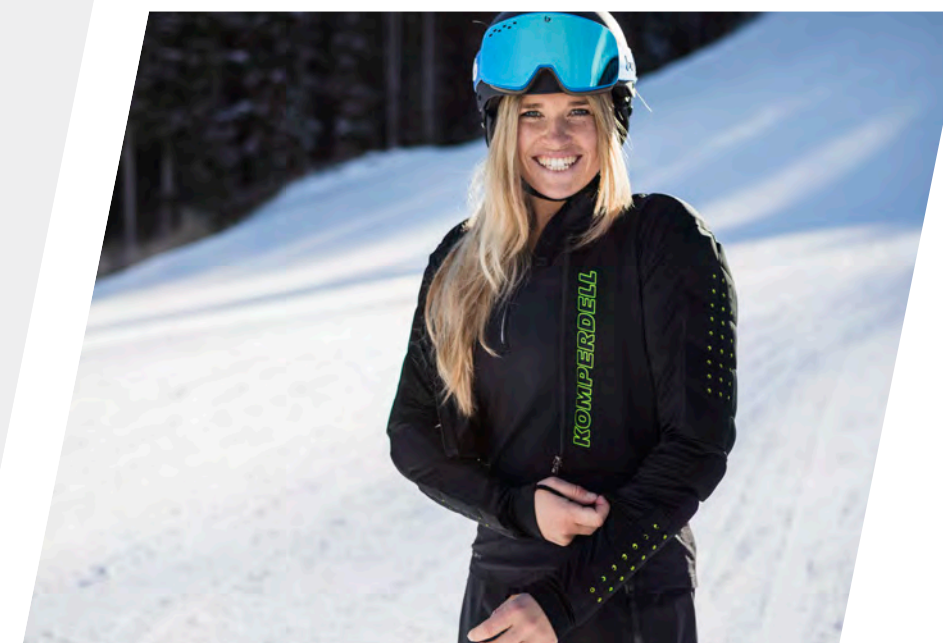


FULL PROTECTOR Slalom Shirt Long

Sizes:
 · Adult: XS-XL
 · Junior: 116-152

Features:
 · perfect breathability, comfortable to wear
 · multilayer Cross 6.0 back-protector, made of adaptive dual-density foam, EN-approved 1621-2
 · perfect protection of back, shoulders, shoulderblades & arms

art. # 6301-208 adult
art. # 6302-208 junior



RACING PROTECTION

RACING ALPINE RENTAL NORDIC XC FREERIDE & TOURING SNOWSHOES PROTECTION TREKKING NORDIC WALKING ACCESSORIES



PRO SHORT

- Sizes:**
- unisex: XXS-XXL
- Features:**
- comfortable foam material for optimal protection of coccyx, thighs and hips
 - sporty look

art. # 6355-212 unisex



Mesh material

FLEX PROTECTOR Knee-Air

- Sizes:**
- Adult: S-M-L
 - Junior: S-M
- Features:**
- EN-approved 1621-1 – Level 1
 - to slip in
 - light and breathable

art. # 6632-206 adult
art. # 6633-206 junior



Bag for Knee protector
the protector can become so small



Especially soft and 7 mm thin protector EN 1621-1 Level 1.

FLEX PROTECTOR Elbow-Air

- Sizes:**
- S-M-L
- Features:**
- EN-approved 1621-1 – Level 1
 - to slip in
 - light and breathable

art. # 6630-206 adult
art. # 6631-206 junior



Bag for Elbow protector
the protector can become so small



Mesh material

RACING ALPINE RENTAL NORDIC XC FREERIDE & TOURING SNOWSHOES PROTECTION TREKKING NORDIC WALKING ACCESSORIES

COLD PROTECTION



STORMHOOD

Sizes:
· Junior/Adult

Features:
· BC-Flex with rapid-dry function
· 4-way stretch – extra elastic
· perfect to be worn under helmet

art. #6210-02 adult
art. # 6211-02 junior



NEOPRENE MASK

Sizes:
· Junior/Adult

Features:
· neoprene material
· fully adjustable with velcro fastener

art. # 694-02 adult
art. # 603-02 junior



KNITTED NOSTALGIC CAP

Sizes:
· Unisex

Features:
· 100% soft acrylic
· retro look – still a sales hit

art. # 602-01 white/red
art. # 602-02 black/red



THERMO MITTENS

Sizes:
· S/L

Features:
· neoprene mitten to wear over a 5-finger glove
· optimal heat insulation in case of low temperatures
· multifunctional usage

art. # 405-02



RACING LOBSTER

Sizes:
· Adult: XS/S/M/L/XL
· Junior: S/M/L/XL

Features:
· genuine leather
· special heat insulation
· knuckles protection out of Carbon (only Adult)
· shock absorbing foam on fingers, thumb and back of the hand

art. # 6502-02 adult
art. # 6621-02 junior



RACING GLOVE

Sizes:
· Adult: XS/S/M/L/XL
· Junior: S/M/L/XL

Features:
· genuine leather
· special heat insulation
· knuckles protection out of Carbon (only Adult)
· shock absorbing foam on fingers, thumb and back of the hand

art. # 6501-02 adult
art. # 6620-02 junior



LEATHER GLOVES

Sizes:
· S(6,5) M(7,5) L(9) XL(10)

Features:
· genuine leather
· extra warm

art. # 441-02



Merino Wolle →



FREERIDE LIGHT

Sizes:
· XS - XXL

Features:
· seamless: wind- & waterproof
· breathable 4-layer material concept
· palm with abrasion-resistant kevlar-material
· merino wool mix inside lining for optimal heat insulation

art. # 447-02

BC Flex →
Außenbeschichtung



TOURING BC FLEX

Sizes:
· XS - XXL

Features:
· seamless: wind- & waterproof
· 3-layer material concept
· odour-neutralizing & breathable
· humidity-absorbing
· palm with non-slip material
· comfortable soft brushed BC-Flex inside-lining
· extra light & thin material

art. # 410-02

Frottee →
Innen- und Außenbeschichtung



TOURING FROTTEE

Sizes:
· XS - XL

Features:
· seamless: wind- & waterproof
· 3-layer material concept
· breathable & humidity-absorbing
· palm, with non-slip reinforced
· extra warm terry cloth lining for cold winter tours
· middle- and ring finger made of soft-shell material

art. # 411-03

BIKE & MOTORCYCLE

Especially in motorcycling and biking, not only protection matters but wearability and ventilation are equally important. Our protectors set a new standard in both protection and usability.



1 BALLISTIC SET
EN 1621-2 – Level 2

Perfectly thought out – our 2-in-1 strap-on protector. The multi-layered back protector and the removable chest protector ensures maximum safety while the slim design guarantees breathability and ventilation, especially in summer.



maximum breathability
due to generous perforation



PERFECT COMBINATION
OF SAFETY
AND COMFORT



maximum breathability
due to generous perforation

perfectly thought out
protector integrated
directly into the
backpack

integrated
Storm Jacket



2 MTB-PRO PROTECTORPACK
En 1621-2 – Level 2

The MTB-Pro Protectorpack is the ideal companion for long mountain bike tours thanks to sufficient storage space and many well thought-out details. The back protector is light and flexible, and thanks to the multiple layers of adaptive dual-density foam, it achieves the highest protection values.

ACCESORIES
NORDIC WALKING
TREKKING
PROTECTION
SNOWSHOES
FREERIDE & TOURING
NORDIC XC
RENTAL
ALPINE
RACING

ACCESORIES
NORDIC WALKING
TREKKING
PROTECTION
SNOWSHOES
FREERIDE & TOURING
NORDIC XC
RENTAL
ALPINE
RACING

PROTECTION DOWNHILL ENDURO



removable
shoulder protectors

protector insert
on the side

extra strong, elastic
rubber binding
to ensure a secure hold



ARMOUR JACKET

Sizes:

· Unisex: XS-XL

Features:

- multilayer Cross Flex back-protector made of adaptive dual-density foam, EN-approved 1621-2
- light and flexible
- protection on the side to safeguard ribs and organs
- removable shoulder protectors
- semi-removable chest protectors
- front zip

art. # 6601-206 unisex

semi-removable
chest protectors
certified according to
the motorcycle
standard EN 1621-3



ARMOUR VEST

Sizes:

· XS - XXL

Features:

- multilayer Cross Flex back-protector made of adaptive dual-density foam, EN-approved 1621-2
- light and flexible
- protection on the side to safeguard ribs and organs
- semi-removable chest protectors
- front zip

art. # 6600-206 unisex

semi-removable
chest protectors
certified according to
the motorcycle
standard EN 1621-3

BRAND
NEW

protector insert
on the side

extra strong, elastic
rubber binding
to ensure a secure hold



AIR VEST

Perfect combination of safety and comfort. Ultralight and highly flexible with the highest ventilation in our program.

ACCESORIES
NORDIC WALKING
TREKKING
PROTECTION
SNOWSHOES
FREERIDE & TOURING
NORDIC XC
RENTAL
ALPINE
RACING



PROTECTION MOUNTAINBIKE

ACCESORIES
NORDIC WALKING
TREKKING
PROTECTION
SNOWSHOES
FREERIDE & TOURING
NORDIC XC
RENTAL
ALPINE
RACING



BRAND NEW

semi-removable chest protectors certified according to the motorcycle standard EN 1621-3

AIR VEST +

- Sizes:**
- Unisex: XS - XL
- Features:**
- multilayer Cross Flex back-protector made of adaptive dual-density foam, EN-approved 1621-2
 - light and flexible
 - semi-removable chest protectors
 - front zip

art. # 6599-206



AIR VEST LIGHT

- Sizes:**
- Men: XS-XXL
 - Women: XS-XL
- Features:**
- multilayer Cross Flex back-protector made of adaptive dual-density foam, EN-approved 1621-2
 - extra light
 - optimized silhouette
 - front zip

art. # 6597-206 men
art. # 6611-209 women



BRAND NEW

extra strong, elastic rubber binding to ensure a secure hold



PROTECTION DOWNHILL ENDURO



PRO SHORT

Sizes:
· Unisex: XXS-XXL

Features:
· comfortable foam material for optimal protection of coccyx, thighs and hips
· sporty look

art. # 6355-2126 unisex



← **2-in-1 strap-on protector**
exchangeable strap system
turns your strap-on protector into a
complete 360° protector



← **Adaptive
chest protection**

BALLISTIC SET

Sizes:
· XS - XL

Features:
· multilayer Cross Flex Center-Back-protector made of adaptive dual-density foam, EN-approved 1621-2
· ultimate mobility
· removable chest protection, strap attached separately
· slim kidney-belt for the perfect fit, adjustable with velcro fastener
· Nutrition pocket at the lower back

art. # 6602-206 unisex



BRAND
NEW



BALLISTIC PACK

Sizes:
· XS - XL

Features:
· multilayer Cross Flex Center-Back-protector made of adaptive dual-density foam, EN-approved 1621-2
· ultimate mobility
· slim kidney-belt for the perfect fit, adjustable with velcro fastener
· Nutrition pocket at the lower back

art. # 6610-206 unisex

PROTECTION URBAN



ACCESORIES
NORDIC WALKING
TREKKING
PROTECTION
SNOWSHOES
FREERIDE & TOURING
NORDIC XC
RENTAL
ALPINE
RACING



Cross Flex Protector
the safest protection –
EN 1621-2

integrated Storm Jacket
instead of a conventional
raincover

Men's model optional with Storm Jacket
instead of a conventional raincover

**breathable,
wind- & watherproof**
due to stretch laminate

URBAN SOFTSHELL JACKET

- Sizes:**
· XS - XL
- Features:**
· multilayer Cross 6.0 back-protector, made of adaptive dual-density foam, EN-approved 1621-2
· removable shoulder and elbow protectors
· inside pockets with zip
· chest pocket
· Nutrition pocket only on the men's model
· reflective prints
· front zip

art. # 6603-206 Men
art. # 6604-209 Women

URBAN SOFTSHELL VEST

- Sizes:**
· XS - XL
- Features:**
· multilayer Cross 6.0 back-protector, made of adaptive dual-density foam, EN-approved 1621-2
· chest pocket
· inside pockets with zip
· Nutrition pocket only on the men's model
· reflective prints
· front zip

art. # 6628-206 unisex

ACCESORIES
NORDIC WALKING
TREKKING
PROTECTION
SNOWSHOES
FREERIDE & TOURING
NORDIC XC
RENTAL
ALPINE
RACING

PROTECTION MOUNTAINBIKE



RACING ALPINE RENTAL NORDIC XC FREERIDE & TOURING SNOWSHOES PROTECTION TREKKING NORDIC WALKING ACCESSORIES



bag for
Knee protector
the protector can
become so small



Mesh material



FLEX PROTECTOR Elbow - Air

Sizes:
· S-M-L

Features:
· EN-approved 1621-1 – Level 1
· to slip in
· light and breathable

art. # 6630-206 adult
art. # 6631-206 junior



especially soft and
7 mm thin protector
EN 1621-1 Level 1.



FLEX PROTECTOR Knee - Air

Sizes:
· Adult: S-M-L
· Junior: S-M

Features:
· EN-approved 1621-1 – Level 1
· to slip in
· light and breathable

art. # 6632-206 adult
art. # 6633-206 junior

Mesh material



bag for
Elbow protector
the protector can
become so small



RACING ALPINE RENTAL NORDIC XC FREERIDE & TOURING SNOWSHOES PROTECTION TREKKING NORDIC WALKING ACCESSORIES

PROTECTION MOUNTAINBIKE



FLEX PROTECTOR Knee-Guardpro

Sizes:
· Adult: S-M-L
· Junior: S-M-L

- Features:**
- EN-approved 1621-1 – Level 2
 - individually adaptable
 - additional protectors on the sides and the shin
 - extra grip due to anti-slip rubber

art. # 6635-206 adult
art. # 6636-206 junior



especially soft and
9 mm thin Protector
EN 1621-1 Level 2



FLEX PROTECTOR Knee-Guardplus

Sizes:
· S-M-L

- Features:**
- EN-approved 1621-1 – Level 2
 - to slip in
 - additional protectors on the sides
 - extra grip due to anti-slip rubber

art. # 6634-206



PROTECTION URBAN

Perfectly protected in any weather. Our Urban packs do not only protector your back when you crash but the integrated jacket instead of a conventional raincover protects you as well in case it should rain.

**NOTEBOOK CASE**

Sizes:
· S - M - L

art. # 6349-02

PROTECTION URBAN

**URBAN
Protectorpack**

Sizes:
· Unisex: XS-XL

Features:
· multilayer Cross 7.1 FB back protector made of adaptive dual-density foam, EN-approved 1621-2
· waterproof storm jacket included
· lightweight and flexible
· highest safety values
· slim kidney belt for perfect fit
· washable

art. # 6346-02

**URBAN
Protectorpack 2.0**

Sizes:
· Unisex: XS-XL

Features:
· multilayer Cross 7.1 FB back protector made of adaptive dual-density foam, EN-approved 1621-2
· optional with waterproof storm jacket
· lightweight and flexible
· highest safety values
· slim kidney belt for perfect fit
· washable

art. # 6637-206

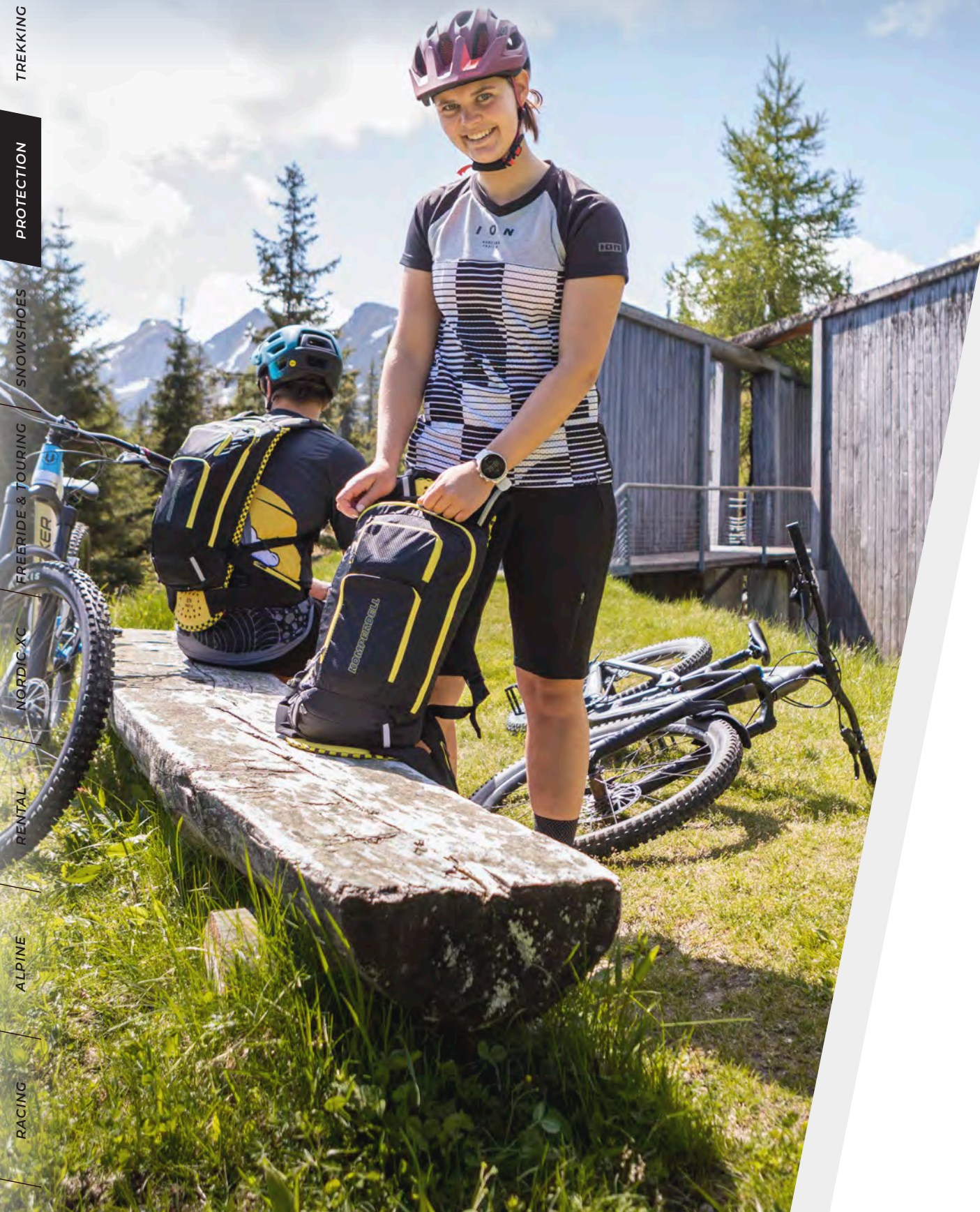


integrated Storm Jacket
instead of a conventional
raincover



PROTECTION MOUNTAINBIKE

Maximum protection without additional weight. While others work with a separate protector-plate, we are the only manufacturer to make the entire back section a protector. A perfect ergonomic fit with sufficient storage space and clever details.



PROTECTION MOUNTAINBIKE

MTB-PRO Protectorpack 2.0

Sizes:

- Unisex: S - M - L

Features:

- multilayer Cross 71 FB back protector made of adaptive dual-density foam, EN-approved 1621-2
- Raincover included
- lightweight and flexible
- highest safety values
- slim kidney belt for perfect fit
- washable

art. # 6342-206



Side Pockets



Helmet holder

Drink Bottle pocket

integrated Storm Jacket

OPTIONAL**Batterypack**

- padded pack for spare battery

art. # 6348-02

Notebookcase S-M-L

- padded pack for Pads/Notebooks

art. # 6349-02

Hydro Bladder 2L

art. # 6371-10

**INCLUSIVE****Storm Jacket XS-XL**

- waterproof and breathable jacket

art. # 6350-02



PROTECTION MOUNTAINBIKE

NORDIC WALKING
TREKKING
PROTECTION
SNOWSHOES
FREERIDE & TOURING
NORDIC XC
RENTAL
ALPINE
RACING



MTB-PRO Protectorpack

Sizes:

- unisex black/green S-M-L
- unisex black/blue M-L
- unisex black/malbec S-M

Features:

- multilayer Cross 7.1 FB back protector made of adaptive dual-density foam, EN-approved 1621-2
- lightweight and flexible
- highest safety values
- slim kidney belt for perfect fit
- washable

OPTIONAL

Batterypack

- padded pack for spare battery

art. # 6348-02

Notebookcase

S-M-L

- padded pack for Pads/Notebooks

art. # 6349-02

Storm Jacket

XS-XL

- waterproof and breathable jacket

art. # 6350-02

INCLUSIVE

Hydro Bladder 2L

Raincover



art. # 6340-230



art. # 6338-213



art. # 6339-04



Helmet holder



Drink Bottle pocket



integrated Raincover



NORDIC WALKING
TREKKING
PROTECTION
SNOWSHOES
FREERIDE & TOURING
NORDIC XC
RENTAL
ALPINE
RACING

EQUESTRIAN

The most common injuries are caused by horse kicks or rotational falls, where the horse sometimes lands on the rider. With a Komperdell protector you do not need to separate from the horse for the protector to work and our unique construction and protective foam can absorb up to 93 % of the impact in case of a fall or crash.



3 TYPES OF PROTECTORS FOR MAXIMUM SAFETY IN EQUITATION

Automatic width adjustment without loss of protection



1 SAFETY VEST FRONTZIP EN 13158:2018 - LEVEL 3

Our safest equestrian protector with 360° protection and EN 13158:2018 - Level 3 certification. The ergonomic cut and the especially soft, flexible protector body ensure maximum comfort with best protection values. Perfect for cross-country riding and approved for eventing.

Automatic width adjustment without loss of protection



2 BALLISTIC FLEX FIT EN 1621-2 - LEVEL 2



In addition to the multi-layered back protector, the vest offers protection zones in the front and rib areas and is therefore the ideal protector for daily training. The automatic width adjustment ensures almost complete all-round protection with the best wearing comfort, as the vest automatically adapts to the rider's shape.

3 CASUAL PROTECTION EN 1621-2 - LEVEL 2

The casual line is the perfect alternative for daily training and work with the horse, as the protector is integrated directly into the garment, eliminating one layer of functional clothing. Absolute lightness and breathability guaranteed!



RACING ALPINE RENTAL NORDIC XC FREERIDE & TOURING SNOWSHOES PROTECTION TREKKING NORDIC WALKING ACCESSORIES

RACING ALPINE RENTAL NORDIC XC FREERIDE & TOURING SNOWSHOES PROTECTION TREKKING NORDIC WALKING ACCESSORIES

360° perfect safety with our level 3 vest.

Our safety vest providing 360° protection is amazingly comfortable. Due to its special ergonomic cut it perfectly contours to your individual body shape. The multi-layer construction and the especially soft foam guarantees a perfectly ergonomic fit.



approved by
EN 13158:2018 – Level 3

With top results for residual forces our vest surpasses the strictest legal standards – 360° perfect safety.



SAFETY VEST

LEVEL 3 EN 13158:2018



+ ADVANTAGES AT A GLANCE

- + 360° all-round protection
- + Particularly light and breathable
- + Ergonomic cut for maximum comfort
- + Unlimited multi-impact capability, even after a fall
- + 2 versions – manual or automatic width regulation
- + Perfect for eventing



KOMPERDELL



RACING ALPINE RENTAL NORDIC XC FREERIDE & TOURING SNOWSHOES TREKKING PROTECTION NORDIC WALKING ACCESSORIES

RACING ALPINE RENTAL NORDIC XC FREERIDE & TOURING SNOWSHOES TREKKING PROTECTION NORDIC WALKING ACCESSORIES

SAFETY VEST LEVEL 3 EN 13158:2018

360° perfect Safety with our Level 3 vest
Our safety vest providing 360° protection is amazingly comfortable. Due to its special ergonomic cut it perfectly contours to your individual body shape. The multilayer construction and the especially soft foam guarantees a perfectly ergonomic fit.


SAFETY VEST
Ultra Fit

Sizes:
· XS - XXXL

- Features:**
- EN approved 13158:2018 – level 3
 - 360° all around protection
 - further improved ergonomic body shape construction
 - easy to put on thanks to front zip and velcro
 - extremely lightweight & flexible protector
 - best safety values
 - integrated width regulation
 - washable
 - design made in Austria
 - transport protection sleeve included

art. # 6668-2 adult



SAFETY VEST

EN-13158:2018

SAFETY VEST
Ultra Fit Vario

Sizes:
· XS - XXXL

- Features:**
- EN approved 13158:2018 – level 3
 - 360° all around protection
 - further improved ergonomic body shape construction
 - easy to put on thanks to front zip and velcro
 - extremely lightweight & flexible protector
 - best safety values
 - manual width regulation with Velcro
 - washable
 - design made in Austria
 - transport protection sleeve included

art. # 6669-02 adult


SAFETY VEST
Ultra Fit Junior

Sizes:
· 116 - 164

- Features:**
- EN approved 13158:2018 – level 3
 - 360° all around protection
 - further improved ergonomic body shape construction
 - extremely lightweight & flexible protector
 - best safety values
 - with front zipper – easier to put on and take off
 - integrated width regulation
 - washable
 - design made in Austria
 - transport protection sleeve included

art. # 6670-02 junior



BALLISTIC FLEX FIT LEVEL 2 EN 1621-2

Extreme lightweight & and comfortable to wear. The vest offers almost complete 360° protection and is significantly more flexible in width. The width of the vest automatically adjusts to the rider's girth when the front zipper is closed.



EN 1621-2 – Level 2

With our know-how from the motorcycle industry, i.e. the most extreme application area for efficient protective clothing, we develop the safest protectors for equestrian sports maximum protection and best wearing comfort.

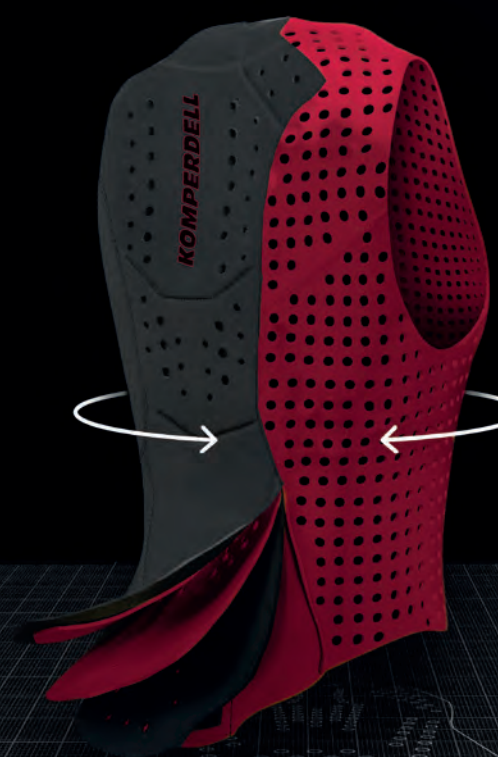


BALLISTIC VEST

LEVEL 2 EN 1621-2

+ ADVANTAGES AT A GLANCE

- + Safe and light at the same time
- + our Level 2 vests have the best freedom of movement on the market
- + great fit thanks to automatic width adjustment
- + high quality and noble at the same time
- + unlimited multi-impact capability



KOMPERDELL



RACING ALPINE RENTAL NORDIC XC FREERIDE & TOURING SNOWSHOES PROTECTION TREKKING NORDIC WALKING ACCESSORIES

RACING ALPINE RENTAL NORDIC XC FREERIDE & TOURING SNOWSHOES PROTECTION TREKKING NORDIC WALKING ACCESSORIES

BALLISTIC FLEX FIT

No Protector is as light and as comfortable to wear. The Ballistic vest is a truly iconic product and probably the protector that put us on the map on the equestrian market. It protects your back but has additional protection on the chest and ribcage - all this with a much smaller profile than conventional Safety vests, a superior fit and the best flexibility in our program.



black / silver



black / bordeaux

BALLISTIC LEVEL 2

BALLISTIC FLEX FIT REGULAR**Sizes:**

- XXS - XXL

Features:

- multilayer Cross FLEX back-protector, made of adaptive dual-density foam, EN-approved 1621-2 - level 2
- back protector with lateral protection area - with generous perforation for maximum breathability
- extremely lightweight & breathable protector
- automatic width adjustment
- best safety values
- with front zipper - easier to put on and take off
- unlimited freedom of movement
- improved ergonomics
- design made in Austria

art. # 6448-212 unisex

ISPO AWARD
GOLD WINNER
2017/2018automatic
width adjustmentCross 6.0 Protector
the safest protection -
EN 1621-2 - level 2**BALLISTIC FLEX FIT SLIM****Sizes:**

- silver: XXS - XXL
- bordeaux: XXS - XL

Features:

- multilayer Cross FLEX back-protector, made of adaptive dual-density foam, EN-approved 1621-2 - level 2
- back protector with lateral protection area - with generous perforation for maximum breathability
- automatic width adjustment
- extremely lightweight & breathable protector
- best safety values
- with front zipper - easier to put on and take off
- unlimited freedom of movement
- improved ergonomics
- design made in Austria

art. # 6447-212 unisex

art. # 6459-229 unisex

ISPO AWARD
GOLD WINNER
2017/2018automatic
width adjustment

BALLISTIC CHAMPION

40% better protection – EN 1621-2 certified Level 2. The almost gapless and additionally reinforced lateral protective zones round off our requirements for the protective performance of a lightweight, slim and particularly comfortable vest, which we would like to offer to children as an alternative to the Level 3 safety vest.



BALLISTIC JUNIOR LEVEL 2

BALLISTIC VEST CHAMPION

Sizes:
• 104 - 152

- Features:**
- multilayer Cross 6.0 back-protector, made of adaptive dual-density foam, EN-approved 1621-2 level 2
 - back protector with lateral protection area – with generous perforation for maximum breathability
 - automatic width adjustment
 - extremely lightweight & breathable protector
 - best safety values
 - with front zipper – easier to put on and take off
 - unlimited freedom of movement
 - improved ergonomics
 - design made in Austria

- art. # 6449-212
- art. # 6460-229



additional rib protectors perfectly protected



■ black/bordeaux

automatic width adjustment



■ black/silver

Cross 6.0 Protector
the safest protection – EN 1621-2 · level 2

BALLISTIC JUNIOR

The lightest protection for our young riders. The CE-approved back protector features an extra lightweight construction, additional protection on the chest and ribcage and an extremely high degree of flexibility.

RACING
ALPINE
RENTAL
NORDIC XC
FREERIDE & TOURING
SNOWSHOES
PROTECTION
TREKKING
NORDIC WALKING
ACCESSORIES



BALLISTIC JUNIOR LEVEL 1

BALLISTIC VEST JUNIOR

Sizes:
· 104 - 152

- Features:**
- multilayer Cross 6.0 back-protector, made of adaptive dual-density foam, EN-approved 1621-2
 - back protector with lateral protection area - with generous perforation for maximum breathability
 - extremely lightweight & breathable protector
 - best safety values
 - with front zipper - easier to put on and take off
 - unlimited freedom of movement
 - improved ergonomics
 - design made in Austria

art. # 6321-209 unisex

art. # 6321-208 unisex



additional rib protectors
perfectly protected →



green

← ultimate freedom
of movement
for more fun and comfort



pink

RACING
ALPINE
RENTAL
NORDIC XC
FREERIDE & TOURING
SNOWSHOES
PROTECTION
TREKKING
NORDIC WALKING
ACCESSORIES

CASUAL PROTECTION

A completely new style of protective clothing! Protectors smartly integrated in functional clothing allow decreasing the number of layers resulting in less weight, increased breathability and enhanced freedom of movement.

ACCESSORIES
NORDIC WALKING
TREKKING
PROTECTION
SNOWSHOES
FREERIDE & TOURING
NORDIC XC
RENTAL
ALPINE
RACING



FULL ZIP HOODY SHIRT

Sizes:

- Men: XS - XXL
- Women: XXS - XL

Features:

- multilayer Cross FLEX back-protector, made of adaptive dual-density foam, EN-approved 1621-2
- made of comfortably fitting fleece 4-way stretch- material
- hood with draw-string
- Integrated kidney-belt adjustable with velcro fastener
- front zip

art. # 6353-207 men
art. # 6356-240 women



Hood

made of super-soft fleece, snug & warm



Kangaroo Pockets

PROTECTION CASUAL



Cross Flex Protector

the safest protection – EN 1621-2

FULL ZIP SWEATER Sonic Material

Sizes:

- Men: XS - XXL
- Women: XXS - XL

Features:

- multilayer Cross FLEX back-protector, made of adaptive dual-density foam, EN-approved 1621-2
- made of comfortably fitting fleece 4-way stretch- material
- Integrated kidney-belt adjustable with velcro fastener
- front zip

art. # 6354-202 men
art. # 6357-209 women

FULL ZIP SWEATER Bond Material

Sizes:

- Men: XS - XXL
- Women: XXS - XL

Features:

- multilayer Cross FLEX back-protector, made of adaptive dual-density foam, EN-approved 1621-2
- made of comfortably fitting fleece 4-way stretch- material
- Integrated kidney-belt adjustable with velcro fastener
- front zip

art. # 6354-207 men
art. # 6357-240 women



Cross Flex Protector

the safest protection – EN 1621-2



ACCESSORIES
NORDIC WALKING
TREKKING
PROTECTION
SNOWSHOES
FREERIDE & TOURING
NORDIC XC
RENTAL
ALPINE
RACING

PROTECTION CASUAL

The hybrid construction vest is made of extra lightweight, insulating materials and offers reliable protection from wind and cold.

PROTECTION CASUAL



breathable,
wind- & waterproof
due to stretch laminate

**SOFTSHELL VEST****Sizes:**

- Men: XS - XL
- Women: XS - XL

Features:

- multilayer Cross 6.0 back-protector, made of adaptive dual-density foam, EN-approved 1621-2
- chest pocket
- inside pockets with zip
- Nutrition pocket only on the men's model
- reflective prints
- front zip

art. # 6605-206 men

art. # 6606-209 women



concealed side
breast pockets
with zip



BRAND
NEW



best cold & wind
protection
due to thermo-isolating,
extra light technical
materials

integrated kidney-belt
adjustable with
velcro-fastener

THERMOVEST**Sizes:**

- Men: S - XXL

Features:

- multilayer Cross 6.0 back-protector, made of adaptive dual-density foam, EN-approved 1621-2
- innovative material-mix: extra-light shell material combined with smart breathable thermo-padding
- removable hood stormproof
- concealed chest pocket with zip & 2 concealed side-pockets

art. # 6351-207 men



removable
hood
fully customizable
with draw-string and
rubber cord

concealed side
breast pockets
with zip

4-way stretch light
shell material
for comfort



TREKKING

RACING | ALPINE | RENTAL | NORDIC XC | FREERIDE & TOURING | SNOWSHOES | PROTECTION | TREKKING | NORDIC WALKING | ACCESSORIES



INCREDIBLE LIGHTWEIGHT

While other brands buy Carbon tubes of the shelf, we have been developing and manufacturing our Carbon shafts by ourselves for more than 25 years. When we develop a new model it starts with the development of the shaft itself.

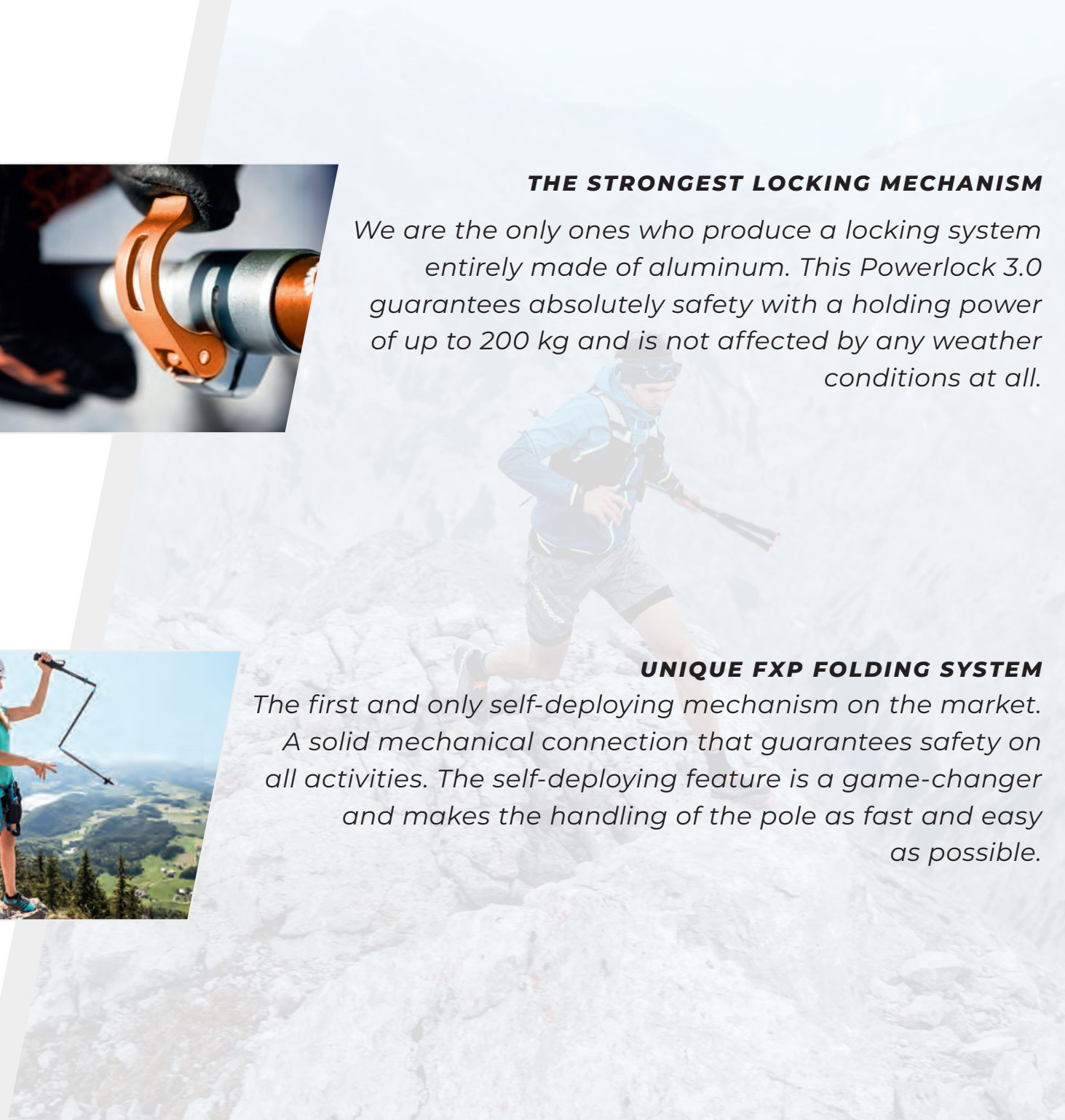
THE STRONGEST LOCKING MECHANISM

We are the only ones who produce a locking system entirely made of aluminum. This Powerlock 3.0 guarantees absolutely safety with a holding power of up to 200 kg and is not affected by any weather conditions at all.

UNIQUE FXP FOLDING SYSTEM

The first and only self-deploying mechanism on the market. A solid mechanical connection that guarantees safety on all activities. The self-deploying feature is a game-changer and makes the handling of the pole as fast and easy as possible.

RACING | ALPINE | RENTAL | NORDIC XC | FREERIDE & TOURING | SNOWSHOES | PROTECTION | TREKKING | NORDIC WALKING | ACCESSORIES



FX LITE ALUMINUM



FX LITE TI Vario

Sizes:
 · packed size: 41 cm
 · adjustable from 115–135 cm

Weight:
 · 245 g

Features:

- Trail Pro 245 Foam grip
- Comfort Padded strap
- 4-sections:
 Aluminum 7075-T6, Ø 18/16 mm
- Powerlock 3.0 locking mechanism
- FX LITE folding mechanism
- FXP UL VARIO basket
- tungsten/carbide flex tip

art. # 194 23 70-10

+ ADVANTAGES AT A GLANCE

- + 30% lighter
- + Unfolds by itself – simply click and fix
- + Reliable due to robust aluminum
- + As robust as a conventional telescopic pole due to multiple reinforced shafts
- + Easy and safe use
- + Foldable with press button



FX LITE TI Vario Compact

Sizes:
 · packed size: 38 cm
 · adjustable from 105–125 cm

Weight:
 · 239 g

Features:

- Trail Pro 245 Foam grip
- Comfort Padded strap
- 4-sections:
 Aluminum 7075-T6, Ø 18/16 mm
- Powerlock 3.0 locking mechanism
- FX LITE folding mechanism
- FXP UL VARIO basket
- tungsten/carbide flex tip

art. # 194 23 71-10



FX LITE TI

Sizes:
 · packed size: 42 cm (115 cm)
 · 105/115/125/135 cm

Weight:
 · 207 g (115 cm)

Features:

- Trail Pro 245 Foam grip
- Comfort Padded strap
- 4-sections:
 Aluminum 7075-T6, Ø 16 mm
- FX LITE folding mechanism
- FXP UL VARIO basket
- tungsten/carbide flex tip

art. # 194 23 73-10



FXP CARBON

“Unbelievable – as if by magic. My pole deploys completely by its own and is ready for immediate use thanks to the FXP technology. Simple, fast and light – completely without loss of stabilisation.”

Verena Helminger, ambitious trail runner



Simple, robust and reliable. A rope is used for selfdeployment; push buttons remain completely load-free.

FXP CARBON

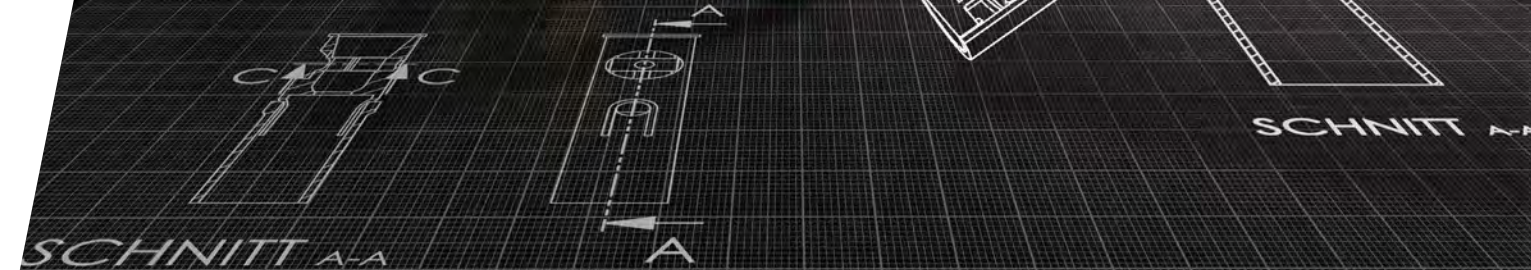
FAST HANDLING IN A MATTER OF SECONDS

+ ADVANTAGES AT A GLANCE

- + Unique self-deploying mechanism
- + Immediately ready for use – no plugging together necessary
- + As robust as a conventional telescopic pole due to multiple reinforced shafts
- + Easy and safe use
- + The sturdiest folding pole on the market
- + foldable with press button
- + pack stability thanks to fastening with Velcro
- + rock-solid mechanical connection



DEVELOPMENT KOMPERDELL



TRAIL TEAM



CARBON FXP Team Vario Green

- Sizes:**
- packed size: 41 cm
 - adjustable from 115–135 cm

- Weight:**
- 246 g

- Features:**
- X-Trail 245 cork grip
 - Trail Click-In 2.1 strap
 - 4-sections: Carbon Ultralight, Ø 18/16 mm
 - Powerlock 3.0 locking mechanism
 - FXP folding mechanism
 - Trailstick carbide tip

art. # 194 23 66-48

OutDoor
by ISPO
Outstanding Outdoor
Gold Winner 2017



CARBON FXP Team Green Foldable

- Sizes:**
- packed size: 41 cm (115 cm)
 - 105/115/125/135 cm

- Weight:**
- 209 g (115 cm)

- Features:**
- X-Trail 245 cork grip
 - Trail Click-In 2.1 strap
 - 3-sections: Carbon Ultralight, Ø 16 mm
 - FXP folding mechanism
 - Trailstick carbide tip

art. # 194 23 59-48

OutDoor
by ISPO
Outstanding Outdoor
Gold Winner 2017



CARBON FXP Team Vario Pink

- Sizes:**
- packed size: 38 cm
 - adjustable from 105–125 cm

- Weight:**
- 246 g

- Features:**
- X-Trail 245 cork grip
 - Trail Click-In 2.1 strap
 - 4-sections: Carbon Ultralight, Ø 18/16 mm
 - Powerlock 3.0 locking mechanism
 - FXP folding mechanism
 - Trailstick carbide tip

art. # 194 23 67-14

OutDoor
by ISPO
Outstanding Outdoor
Gold Winner 2017



CARBON FXP Team Pink Foldable

- Sizes:**
- packed size: 41 cm (115 cm)
 - 105/115/125/135 cm

- Weight:**
- 209 g (115 cm)

- Features:**
- X-Trail 245 cork grip
 - Trail Click-In 2.1 strap
 - 3-sections: Carbon Ultralight, Ø 16 mm
 - FXP folding mechanism
 - Trailstick carbide tip

art. # 194 23 60-14

OutDoor
by ISPO
Outstanding Outdoor
Gold Winner 2017

TRAIL FXP

Tip-top! Our FXP trailrunning poles do not only offer an extremely robust carbide tip but a great all-round package. Lightness, super small packed size and an extremely fast handling – what more could you wish for?



Get in with a click and drop out with a push. Our new click-in system couldn't be easier.



TRAIL FXP



CARBON FXP Trail Click In

Sizes:
 • packed size: 41 cm (115 cm)
 • 105/115/125/135 cm

Weight:
 • 211 g (115 cm)

Features:
 • X-Trail 245 Foam grip
 • Trail Click-In 2.1 strap
 • 3-sections: Carbon Composite, Ø 16 mm
 • FXP folding mechanism
 • Trailstick carbide tip

art. # 194 23 50-10
Outdoor
 by ISPO

Outstanding Outdoor
 100% Recycled Carbon Fiber



CARBON FXP Trail

Sizes:
 • packed size: 41 cm (115 cm)
 • 105/115/125/135 cm

Weight:
 • 189 g (115 cm)

Features:
 • Trail Pro 245 Foam grip
 • Comfort Padded strap
 • 3-sections: Carbon Composite, Ø 16 mm
 • FXP folding mechanism
 • Trailstick carbide tip

art. # 194 23 51-10

Outdoor
 by ISPO

Outstanding Outdoor
 100% Recycled Carbon Fiber



TREKKING FXP



FXP CARBON Summit Vario

- Sizes:**
- packed size: 41 cm
 - adjustable from 115–135 cm

Weight:

- 251 g

Features:

- Trek Pro 245 cork grip
- Air Padded strap
- 4-sections: Carbon, Ø 18/16 mm
- Powerlock 3.0 locking mechanism
- FXP folding mechanism
- FXP UL VARIO basket
- tungsten/carbide flex tip

art. # 194 23 63-10

OutDoor

by ISPO

Outstanding Outdoor

Gold Winner 2019

© ISPO Award



FXP CARBON Summit Vario Compact

Sizes:

- packed size: 38 cm
- adjustable from 105–125 cm

Weight:

- 241 g

Features:

- Trek Pro 245 cork grip
- Air Padded strap
- 4-sections: Carbon, Ø 18/16 mm
- Powerlock 3.0 locking mechanism
- FXP folding mechanism
- FXP UL VARIO basket
- tungsten/carbide flex tip

art. # 194 23 64-10

OutDoor

by ISPO

Outstanding Outdoor

Gold Winner 2019

© ISPO Award



FXP CARBON Approach Vario

- Sizes:**
- packed size: 41 cm
 - adjustable from 115–135 cm

Weight:

- 252 g

Features:

- Trek Pro 245 Foam grip
- Comfort Padded strap
- 4-sections: Aluminum 7075-T6, Ø 18 mm Carbon, Ø 16 mm
- Powerlock 3.0 locking mechanism
- FXP folding mechanism
- FXP UL VARIO basket
- tungsten/carbide flex tip

art. # 194 23 56-10

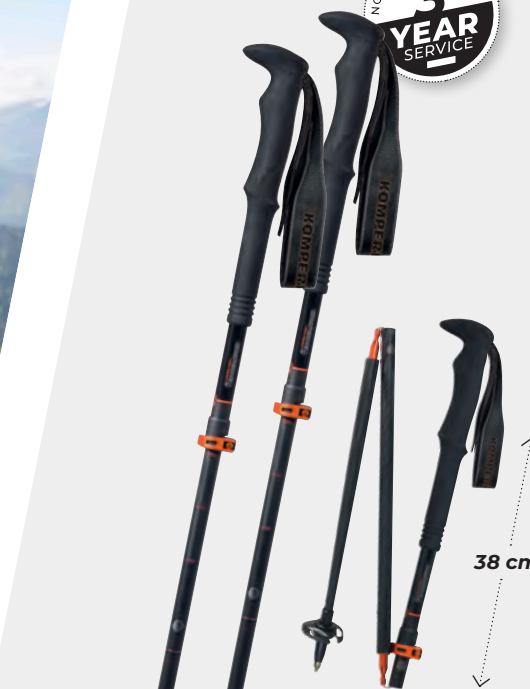
OutDoor

by ISPO

Outstanding Outdoor

Gold Winner 2019

© ISPO Award



FXP CARBON Approach Vario Compact

Sizes:

- packed size: 38 cm
- adjustable from 105–125 cm

Weight:

- 248 g

Features:

- Trek Pro 245 Foam grip
- Comfort Padded strap
- 4-sections: Aluminum 7075-T6, Ø 18 mm Carbon, Ø 16 mm
- Powerlock 3.0 locking mechanism
- FXP folding mechanism
- FXP UL VARIO basket
- tungsten/carbide flex tip

art. # 194 23 57-10

OutDoor

by ISPO

Outstanding Outdoor

Gold Winner 2019

© ISPO Award

WOMEN EDITION

Ladies' choice: a superior companion for your outdoor activities - trekking poles from our women edition. A perfect mix of design, fashion and highest functionality combined with lightness and a small packing size. A pole that offers all you could wish for!



CALIMA Carbon Cloud

Sizes:
 · packed size: 57 cm
 · adjustable from 90–120 cm

Weight:
 · 179g

Features:
 · Trek Pro 280 cork grip
 · Air Padded strap
 · 3-sections: Carbon Cloud, Ø 18/16/14 mm
 · Powerlock 3.0 locking mechanism
 · Mini UL Vario basket
 · tungsten/carbide flex tip

art. # 175 23 58-10



WOMEN EDITION



BOREA Carbon Pro

Sizes:
 · packed size: 57 cm
 · adjustable from 90–120 cm

Weight:
 · 213g

Features:
 · Trek Pro 280 cork grip
 · Air Padded strap
 · 3-sections:
 top part: Carbon, Ø 18 mm
 middle part: Carbon, Ø 16 mm
 lower part: Titanal .HF, Ø 14 mm
 · Powerlock 3.0 locking mechanism
 · Mini UL Vario basket
 · tungsten/carbide flex tip

art. # 175 23 59-10



TRAMONTANA TI

Sizes:
 · packed size: 57 cm
 · adjustable from 90–120 cm

Weight:
 · 220g

Features:
 · Trek Pro 280 Foam grip
 · Comfort Padded strap
 · 3-sections: Aluminum 7075-T6, Ø 18/16/14 mm
 · Powerlock 3.0 locking mechanism
 · Mini UL Vario basket
 · tungsten/carbide flex tip

art. # 174 23 56-10



CARBON C3 CLOUD

Light as a cloud – our Carbon C3 Cloud trekking poles are a world champion in lightness and master every challenge. If you test them once, you will be on cloud nine, or rather on Cloud C3.

**CARBON C3**
Cloud**Sizes:**

- packed size: 67 cm
- adjustable from 105–140 cm

Weight:

- 187 g

Features:

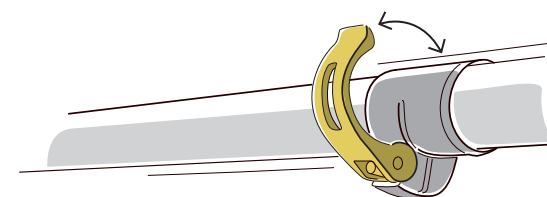
- Trek Pro 280 cork grip
- Air Padded strap
- 3-sections: Carbon Cloud, Ø 18/16/14 mm
- Powerlock 3.0 locking mechanism
- Mini UL Vario basket
- tungsten/carbide flex tip

art. # 175 23 68-10

CARBON C3

CLOUD**POWERLOCK 3.0**

200 kg vertical loading capacity – our Powerlock 3.0 offers by far the strongest holding force. The latest product update is consistently made of forged aluminum – unique and almost indestructible. **More power is not possible.**

**CARBON C3**
Cloud Compact**Sizes:**

- packed size: 57 cm
- adjustable from 90–120 cm

Weight:

- 175 g

Features:

- Trek Pro 280 cork grip
- Air Padded strap
- 3-sections: Carbon Cloud, Ø 18/16/14 mm
- Powerlock 3.0 locking mechanism
- Mini UL Vario basket
- tungsten/carbide flex tip

art. # 175 23 69-10

CARBON C3

NO QUESTIONS ASKED
3
YEAR
SERVICE



CARBON C3 PRO Compact

Sizes:

- packed size: 57 cm
- adjustable from 90–120 cm

Weight:

- 200 g

Features:

- Trek Pro 280 Foam grip
- Comfort Padded strap
- 3-sections:
 - top part: Carbon, Ø 18 mm
 - middle part: Carbon, Ø 16 mm
 - lower part: Titanal.HF, Ø 14 mm
- Powerlock 3.0 locking mechanism
- Mini UL Vario basket
- tungsten/carbide flex tip

art. # 175 23 61-10



CARBON C3 PRO

Sizes:

- packed size: 67 cm
- adjustable from 105–140 cm

Weight:

- 221 g

Features:

- Trek Pro 280 Foam grip
- Comfort Padded strap
- 3-sections:
 - top part: Carbon, Ø 18 mm
 - middle part: Carbon, Ø 16 mm
 - lower part: Titanal.HF, Ø 14 mm
- Powerlock 3.0 locking mechanism
- Mini UL Vario basket
- tungsten/carbide flex tip

art. # 175 23 60-10



NO QUESTIONS ASKED
3
YEAR
SERVICE



CARBON COMPOSITE C3 Compact

Sizes:

- packed size: 57 cm
- adjustable from 90–120 cm

Weight:

- 193 g

Features:

- Trek Pro 150 Foam grip
- Comfort Padded strap
- 3-sections:
 - top part: Carbon, Ø 18 mm
 - middle part: Carbon, Ø 16 mm
 - lower part: Titanal.HF, Ø 14 mm
- Powerlock 3.0 locking mechanism
- Mini UL Vario basket
- tungsten/carbide flex tip

art. # 175 23 71-10



CARBON COMPOSITE C3

Sizes:

- packed size: 67 cm
- adjustable from 105–140 cm

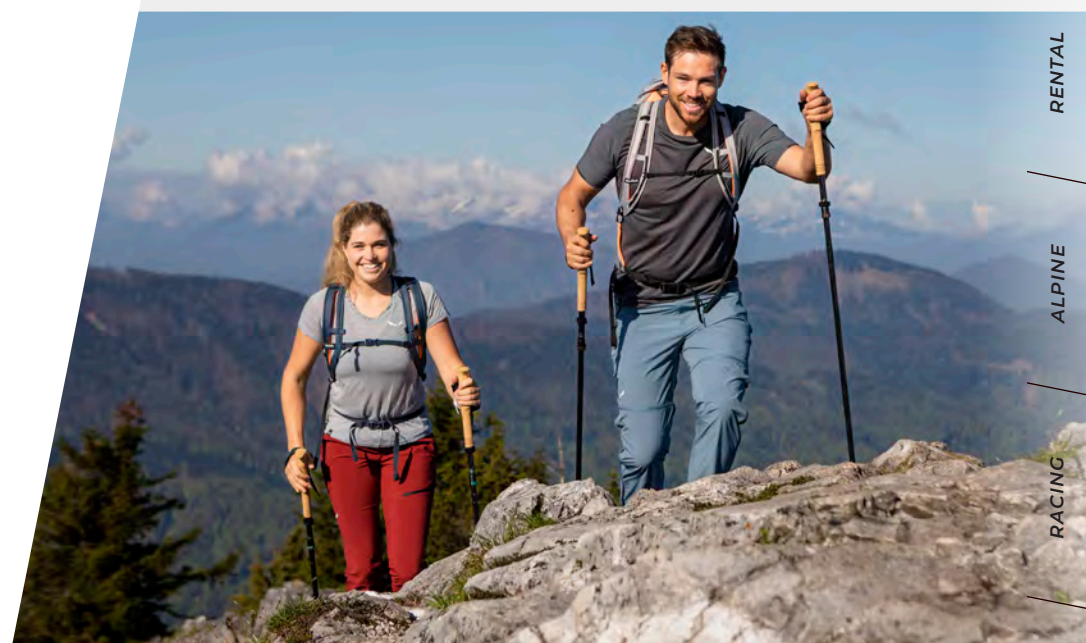
Weight:

- 211 g

Features:

- Trek Pro 150 Foam grip
- Comfort Padded strap
- 3-sections:
 - top part: Carbon, Ø 18 mm
 - middle part: Carbon, Ø 16 mm
 - lower part: Titanal.HF, Ø 14 mm
- Powerlock 3.0 locking mechanism
- Mini UL Vario basket
- tungsten/carbide flex tip

art. # 175 23 70-10



TITANAL EXPLORER



EXPLORER CONTOUR Cork

- Sizes:**
- packed size: 65 cm
 - adjustable from 105–140 cm

- Weight:**
- 243 g

- Features:**
- Trek Pro 280 cork grip
 - Comfort Padded strap
 - 3-sections:
 - Aluminum 7075-T6, Ø 18/16/14 mm
 - Powerlock 3.0 locking mechanism
 - Mini UL Vario basket
 - tungsten/carbide flex tip

art. # 174 23 18-10



EXPLORER COMPACT Cork

- Sizes:**
- packed size: 57 cm
 - adjustable from 90–120 cm

- Weight:**
- 228 g

- Features:**
- Trek Pro 280 cork grip
 - Comfort Padded strap
 - 3-sections:
 - Aluminum 7075-T6, Ø 18/16/14 mm
 - Powerlock 3.0 locking mechanism
 - Mini UL Vario basket
 - tungsten/carbide flex tip

art. # 174 23 16-10



EXPLORER CONTOUR Powerlock

- Sizes:**
- packed size: 65 cm
 - adjustable from 105–140 cm

- Weight:**
- 239 g

- Features:**
- Trek Pro 280 Foam grip
 - Comfort Padded strap
 - 3-sections:
 - Aluminum 7075-T6, Ø 18/16/14 mm
 - Powerlock 3.0 locking mechanism
 - Mini UL Vario basket
 - tungsten/carbide flex tip

art. # 174 23 14-10



EXPLORER COMPACT Powerlock

- Sizes:**
- packed size: 57 cm
 - adjustable from 90–120 cm

- Weight:**
- 220 g

- Features:**
- Trek Pro 280 Foam grip
 - Comfort Padded strap
 - 3-sections:
 - Aluminum 7075-T6, Ø 18/16/14 mm
 - Powerlock 3.0 locking mechanism
 - Mini UL Vario basket
 - tungsten/carbide flex tip

art. # 174 23 15-10



TREKKING ALUMINUM

High rigidity meets lightness and comfort. A soft and sweat absorbing ergonomically grip, an extended grip zone or a shock absorbing tip – the perfect mixture for a successful day outdoors.



TREKKING ALUMINUM



TREKKING ALUMINUM



Cork Grip
comfortable grip feeling

64 cm

RIDGEHIKER Cork Powerlock

Sizes:
• packed size: 64 cm
• adjustable from 105–140 cm

Weight:
• 268 g

Features:
• Tour 170 cork 1K grip
• padded trekking strap
• 3-sections: Aluminum 7075-T6, Ø 18/16/14 mm
• Powerlock 3.0 locking mechanism
• Mini UL Vario basket
• tungsten/carbide flex tip

art. # 174 23 24-10



57 cm
7 cm smaller packed size

RIDGEHIKER CORK Powerlock Compact

Sizes:
• packed size: 57 cm
• adjustable from 90–120 cm

Weight:
• 250 g

Features:
• Tour 170 cork 1K grip
• padded trekking strap
• 3-sections: Aluminum 7075-T6, Ø 18/16/14 mm
• Powerlock 3.0 locking mechanism
• Mini UL Vario basket
• tungsten/carbide flex tip

art. # 174 23 33-10



TREKking ALUMINUM



64 cm

TREKMASTER Powerlock

Sizes:
 · packed size: 64 cm
 · adjustable from 105-140 cm

Weight:
 · 271g

Features:
 · EVA Foam grip
 · system strap XL
 · 3-sections: Aluminum 7075-T6, Ø 18/16/14 mm
 · Powerlock 3.0 locking mechanism
 · Mini UL Vario basket
 · tungsten/carbide flex tip

art. # 174 23 31-10



57 cm

TREKMASTER Powerlock Compact

Sizes:
 · packed size: 57 cm
 · adjustable from 90-120 cm

Weight:
 · 252 g

Features:
 · EVA Foam grip
 · system strap XL
 · 3-sections: Aluminum 7075-T6, Ø 18/16/14 mm
 · Powerlock 3.0 locking mechanism
 · Mini UL Vario basket
 · tungsten/carbide flex tip

art. # 174 23 32-10



66 cm

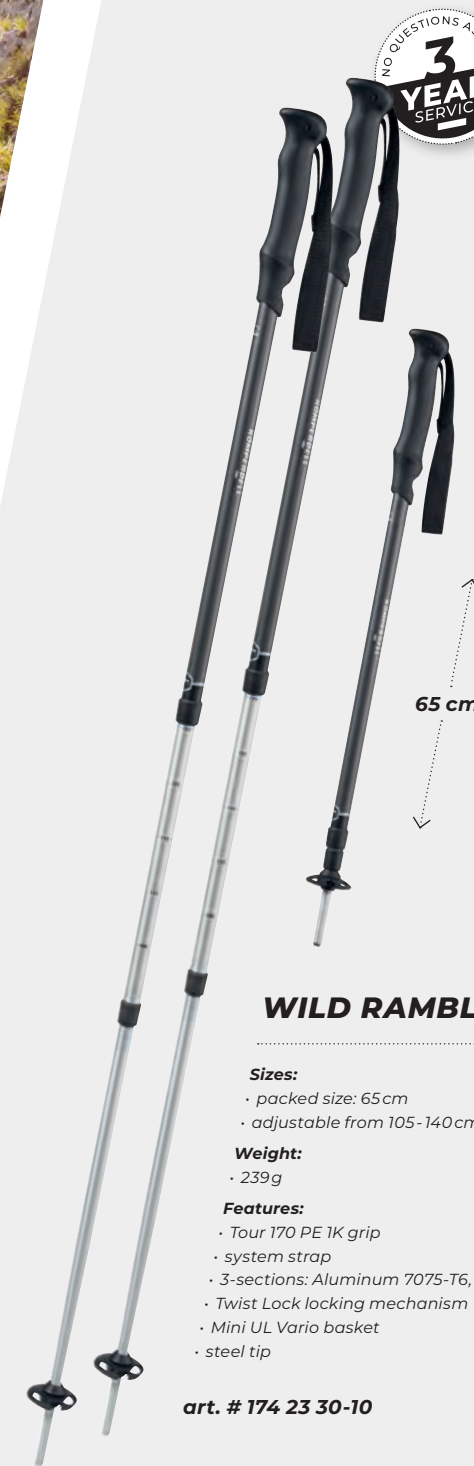
HIGHLANDER Cork

Sizes:
 · packed size: 66 cm
 · adjustable from 105-140 cm

Weight:
 · 248 g

Features:
 · Tour 170 cork 1K grip
 · system strap XL
 · 3-sections: Aluminum 7075-T6, Ø 18/16/14 mm
 · Twist Lock locking mechanism
 · Mini UL Vario basket
 · tungsten/carbide flex tip

art. # 174 23 28-10



65 cm

WILD RAMBLER

Sizes:
 · packed size: 65 cm
 · adjustable from 105-140 cm

Weight:
 · 239 g

Features:
 · Tour 170 PE 1K grip
 · system strap
 · 3-sections: Aluminum 7075-T6, Ø 18/16/14 mm
 · Twist Lock locking mechanism
 · Mini UL Vario basket
 · steel tip

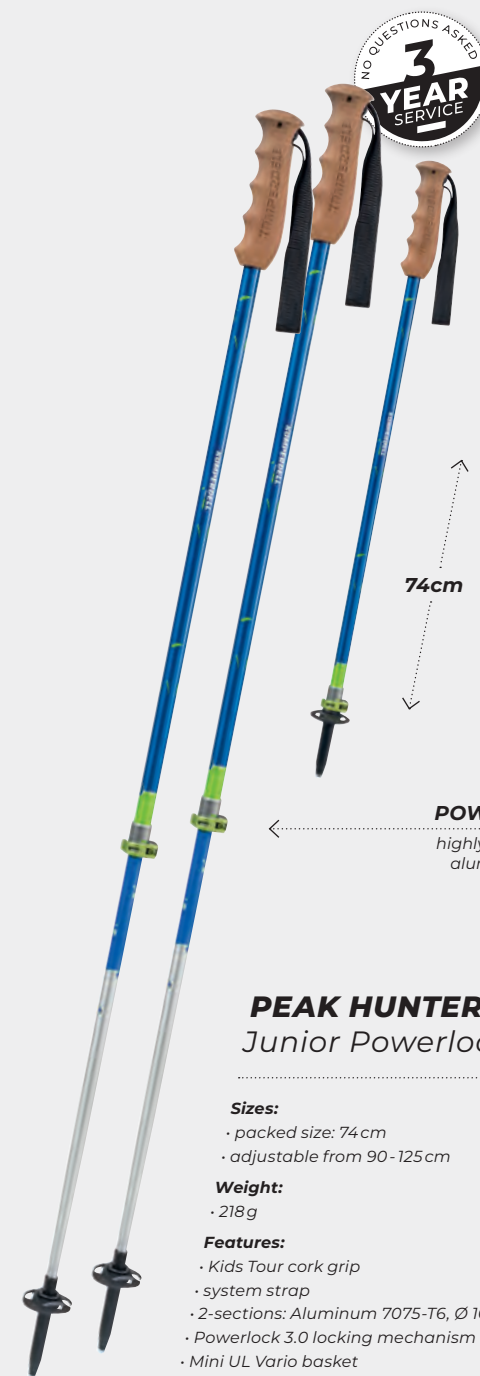
art. # 174 23 30-10

TREKKING JUNIOR

Let's go... straight into the adventure! Our junior trekking poles are not only made of extremely robust aluminum, they grow with the kids and the pole will stay a loyal companion over many years.



TREKKING JUNIOR

**POWERLOCK 3.0**

highly rigid, anodized aluminum for max. holding power!

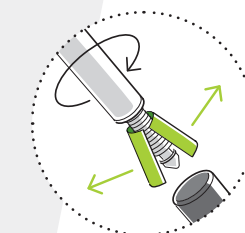
PEAK HUNTER Junior Powerlock

Sizes:
 · packed size: 74 cm
 · adjustable from 90-125cm

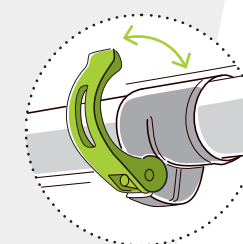
Weight:
 · 218g

Features:
 · Kids Tour cork grip
 · system strap
 · 2-sections: Aluminum 7075-T6, Ø 16/14mm
 · Powerlock 3.0 locking mechanism
 · Mini UL Vario basket
 · flex steel tip

art. # 164 23 13-10



TWISTLOCK
 made from glassfiber reinforced plastics

**TRAILBLAZER Kids**

Sizes:
 · packed size: 65cm
 · adjustable from 80-105cm

Weight:
 · 172g

Features:
 · Kids Tour cork grip
 · standard strap
 · 2-sections:
 upper part: Aluminum 7075-T6, Ø 16 mm
 lower part: Aluminum 5083, Ø 14 mm
 · Twist Lock locking mechanism
 · Mini UL Vario basket
 · steel tip

art. # 164 23 14-10



TREKKING SINGLE STAFF



Camera Mount System
unscrew the head to mount your camera easily



NEW!
Now included neoprene quiver

TRAVEL & WADING Staff FXP Vario

Sizes:
· packed size: 45cm
· adjustable from 115–135cm

Weight:
· 262 g

Features:
· Traveller 245 grip with Camera Mount System
· Ergo strap
· 4-sections: Carbon Composite, Ø 18/16mm
· Powerlock 3.0 locking mechanism
· FXP folding mechanism
· tungsten/carbide flex tip

art. # 196 23 05-10



Camera Mount System
unscrew the head to mount your camera easily



CAMERA Staff

Sizes:
· packed size: 73cm
· adjustable from 115–150cm

Weight:
· 294 g

Features:
· Traveller 360 grip with Camera Mount System
· Ergo strap
· 3-sections: Aluminum 7075-T6, Ø 18/16/14mm
· Powerlock 3.0 locking mechanism
· Regular UL Vario basket
· tungsten/carbide flex tip

art. # 176 23 00-10



WALKING Staff FXP Carbon

Sizes:
· packed size: 36 cm (95 cm)
· 85/95/105 cm

Weight:
· 242 g (95 cm)

Features:
· Walker comfort cork grip
· padded Walker strap
· 3-sections: Carbon Composite, Ø 16/9mm
· FXP folding mechanism
· Trailstick carbide tip
· rubber tip protector

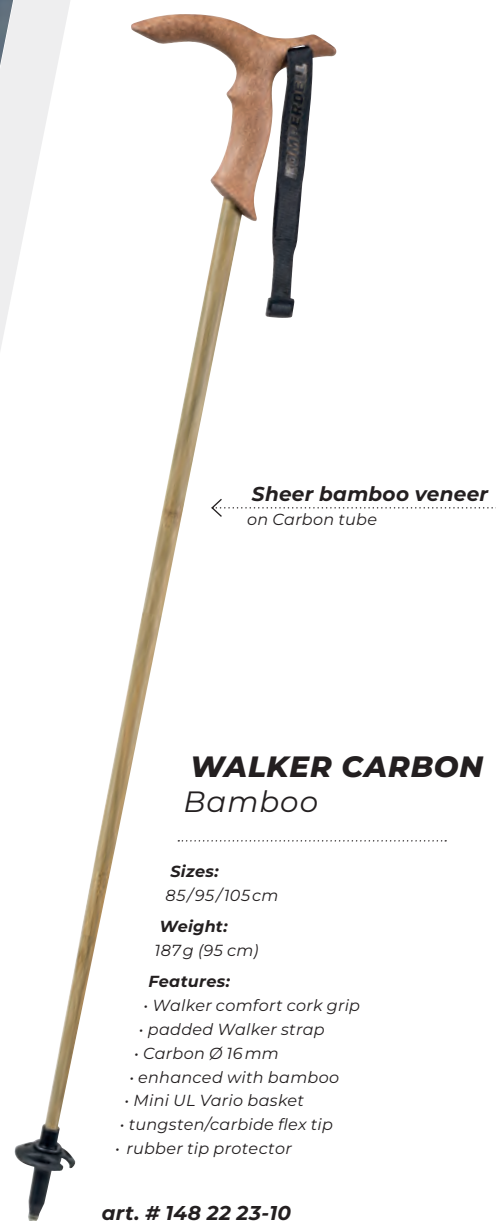
art. # 196 23 04-10



WALKING SINGLE STAFF

“Much more than just a walking aid. My Komperdell walking staff has, unlike my knee, never let me down. The ergonomically shaped cork grip keeps me grounded and offers a comfortable grip feeling.”

Johann Tuns, nature loving pensioner

**WALKER CARBON Bamboo**

Sizes:
85/95/105cm

Weight:
187g (95 cm)

Features:

- Walker comfort cork grip
- padded Walker strap
- Carbon Ø 16mm
- enhanced with bamboo
- Mini UL Vario basket
- tungsten/carbide flex tip
- rubber tip protector

art. # 148 22 23-10

WALKING SINGLE STAFF

**WALKER Powerlock Compact**

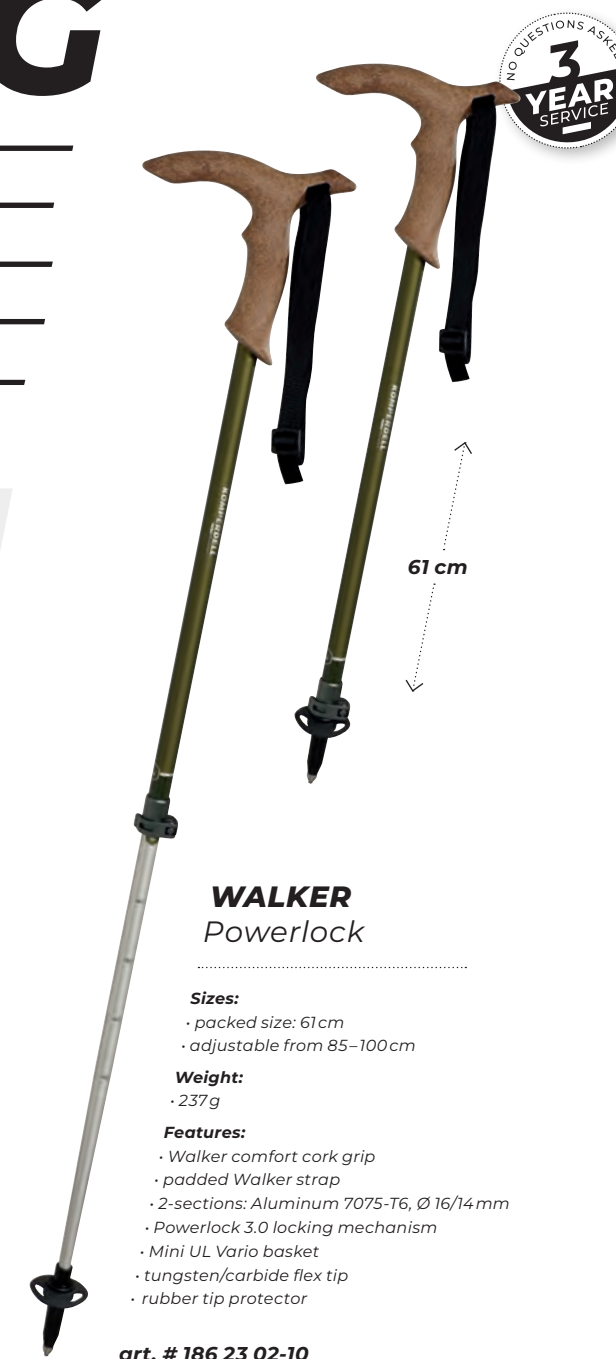
Sizes:
· packed size: 46 cm
· adjustable from 75–100 cm

Weight:
· 259g

Features:

- Walker comfort cork grip
- padded Walker strap · 3-sections: Aluminum 7075-T6, Ø 18/16/14 mm
- Powerlock 3.0 locking mechanism
- Mini UL Vario basket
- tungsten/carbide flex tip
- rubber tip protector

art. # 176 23 74-10



NORDIC WALKING CARBON

With our ultra-light Nordic Walking Carbon poles, your daily workout becomes pure pleasure.



NORDIC WALKING CARBON



← **Sheer bamboo veneer**
on Carbon tube

BAYAMO Carbon

Sizes:
· 105-135cm (in 5cm steps)

Weight:
· 173 g (115 cm)

Features:
· Nordic cork Click-In 2.0 grip
· NW Click-In 2.0 strap
· Carbon Featherlight tube with Bamboo, Ø 16/9mm
· Trailstick carbide tip
· vulcanised 2-K grip pad

art. # 148 22 21-10

LEVANTE Carbon

Sizes:
· 105-135cm (in 5cm steps)

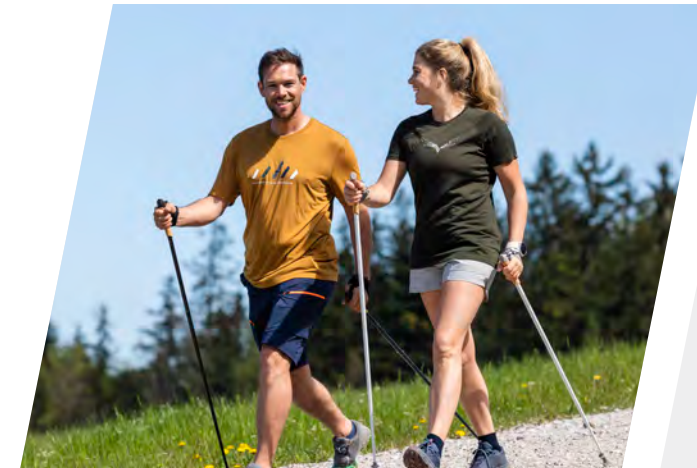
Weight:
· 182 g (115 cm)

Features:
· Nordic cork Click-In 2.0 grip
· NW Click-In 2.0 strap
· Carbon Featherlight tube, Ø 16/9mm
· Trailstick carbide tip
· vulcanised 2-K grip pad

■ art. # 148 23 39-10 pure
□ art. # 148 23 39-01 pearl

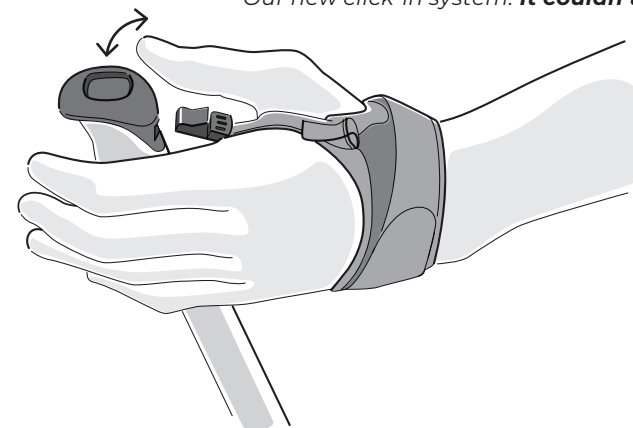


NORDIC WALKING CARBON



CLICK-IN STRAP

Get in with a click and drop out with a push. Our new click-in system. **It couldn't be easier.**



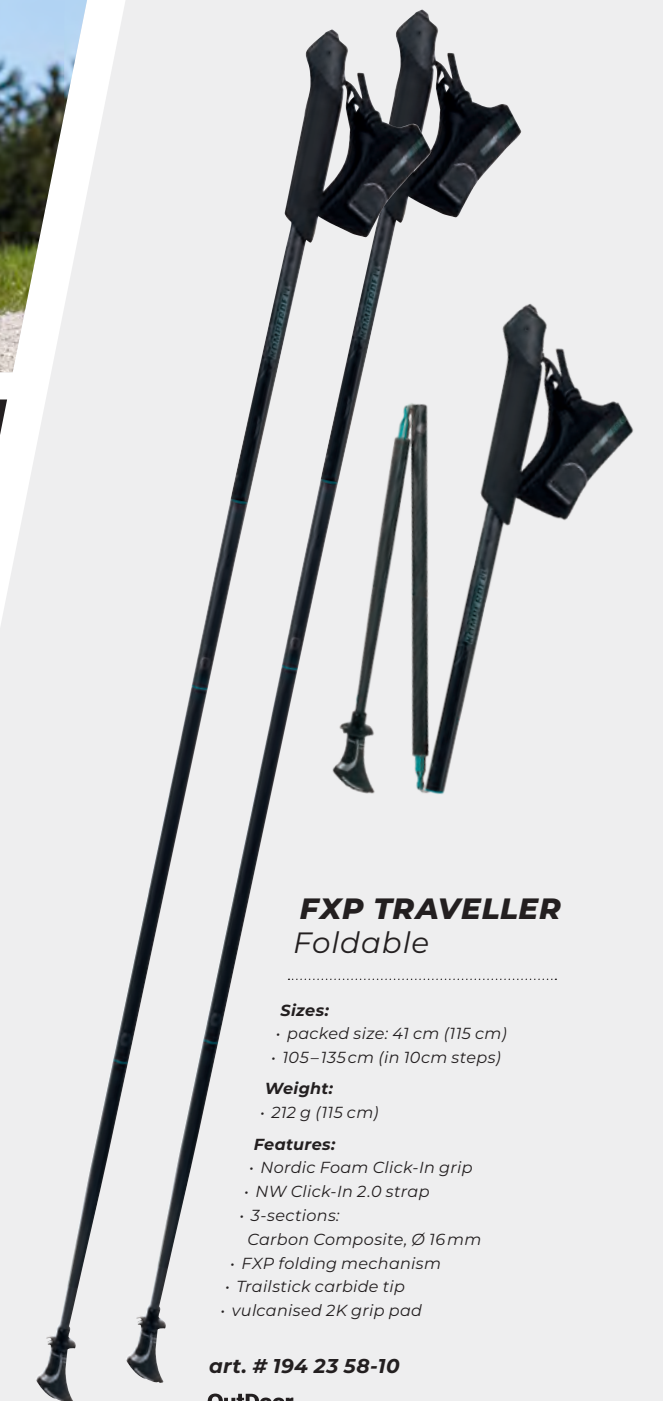
PONIENTE Carbon

Sizes:
• 105–135cm (in 5cm steps)

Weight:
• 196 g (115 cm)

- Features:**
- Nordic Foam Click-In grip
 - NW Click-In 2.0 strap
 - Carbon Composite, Ø 16/9mm
 - Trailstick carbide tip
 - vulcanised 2-K grip pad

- art. # 148 23 34-10 pure
- art. # 148 23 34-01 pearl



FXP TRAVELLER Foldable

Sizes:
• packed size: 41 cm (115 cm)
• 105–135cm (in 10cm steps)

Weight:
• 212 g (115 cm)

- Features:**
- Nordic Foam Click-In grip
 - NW Click-In 2.0 strap
 - 3-sections:
Carbon Composite, Ø 16mm
 - FXP folding mechanism
 - Trailstick carbide tip
 - vulcanised 2K grip pad

art. # 194 23 58-10

Outdoor
by ISPO
Outstanding Outdoor
Outdoor
www.outdoor.com

NORDIC WALKING VARIO



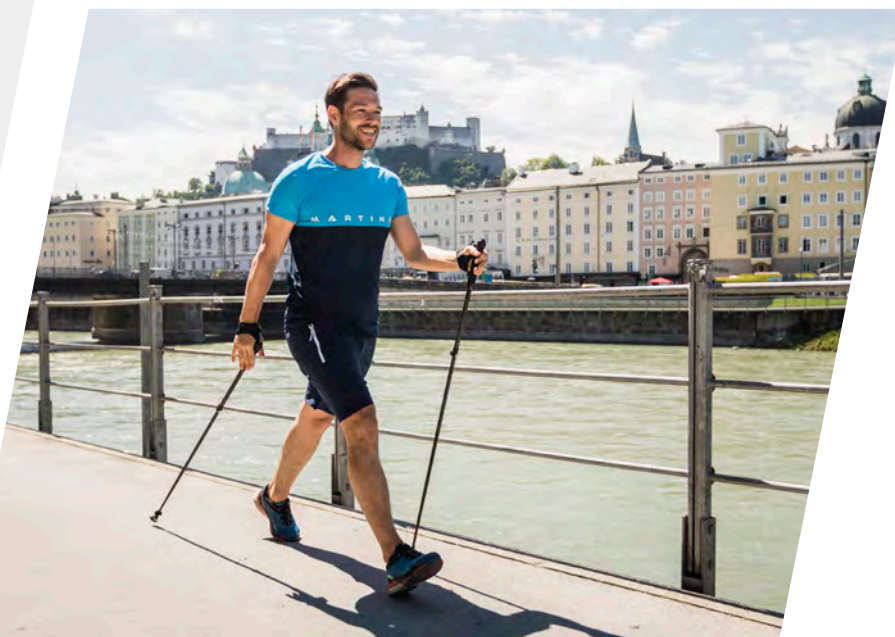
BAYAMO Carbon Vario

Sizes:
 · packed size: 98 cm
 · adjustable from 105 – 125 cm

Weight:
 · 182 g

Features:
 · Nordic cork Click-In 2.0 grip
 · NW Click-In 2.0 strap
 · 2-sections: Carbon, Ø 16/14 mm
 · Powerlock 3.0 locking mechanism
 · Trailstick carbide tip
 · vulcanised 2-K grip pad

art. # 175 22 16-10



PONIENTE Carbon Vario

Sizes:
 · packed size: 98 cm
 · adjustable from 105 – 125 cm

Weight:
 · 182 g

Features:
 · Nordic Foam Click-In grip
 · NW Click-In strap 2.0
 · 2-sections: Carbon, Ø 16/14 mm
 · Powerlock 3.0 locking mechanism
 · Trailstick carbide tip
 · vulcanised 2-K grip pad

art. # 175 23 62-10



SARMA Powerlock

Sizes:
 · packed size: 98 cm
 · adjustable from 105 – 125 cm

Weight:
 · 200 g

Features:
 · Nordic Foam Click-In grip
 · NW Click-In strap 2.0
 · 2-sections:
 Aluminum 7075-T6, Ø 16/14 mm
 · Powerlock 3.0 locking mechanism
 · Trailstick carbide tip
 · vulcanised 2-K grip pad

art. # 184 23 87-10



SARMA Powerlock

Sizes:
 · packed size: 98 cm
 · adjustable from 105 – 125 cm

Weight:
 · 200 g

Features:
 · Nordic Foam Click-In grip
 · NW Click-In strap 2.0
 · 2-sections:
 Aluminum 7075-T6, Ø 16/14 mm
 · Powerlock 3.0 locking mechanism
 · Trailstick carbide tip
 · vulcanised 2-K grip pad

art. # 184 23 87-01



SPARE PARTS

PRE-PACKED



NORDIC WALKING PADS

- art. # 1028-925
- art. # 1029-925



NORDIC WALKING PADS

- art. # 1007-203
- art. # 1007-01



TIP PROTECTOR

- Ø 8 mm
- art. # 192-925
- Ø 12 mm
- art. # 190-925



TIP PROTECTOR

- Ø 8 mm
- art. # 162-925
- Ø 12 mm
- art. # 161-925



ERGO STRAP

art. # 7026-925



NORDIC SPEED CLICK IN 2.0 STRAP

Sizes:
· S-XL

art. # 7017-925



NORDIC WALKING CLICK IN 2.0 STRAP

Sizes:
· XS-L

art. # 7019-925



NORDIC WALKING CLICK IN 2.0 STRAP

Sizes:
· XS-XL

art. # 7014-925



TRAIL CLICK IN 2.1 STRAP

Sizes:
· XS-XL

art. # 7018-925



VARIO SUMMER BASKET

art. # 9356-925



RACE BASKET

art. # 9352-925



RACE BASKET EXTRA SMALL

art. # 9379-925



TRAILSTICK BASKET

art. # 1022-925



VARIO WINTER BASKET

art. # 9364-925



VARIO WINTER BASKET XL

art. # 9912-925



VARIO DEEP POWDER BASKET

art. # 9908-925



MINI UL BASKET

art. # 9942-925



LARGE UL ICE-FLEX BASKET

art. # 9950-925



REGULAR UL ICE-FLEX BASKET

art. # 9949-925



REGULAR UL ICE-FLEX FXP BASKET

art. # 9952-925



REGULAR UL BASKET

art. # 9948-925



MINI UL VARIO BASKET

art. # 9943-925



REGULAR UL VARIO BASKET

art. # 9944-925



LARGE UL VARIO BASKET

art. # 9951-925



LARGE UL VARIO BASKET

art. # 9953-925

REPLACE- MENT BASKETS

Vario system:

Changing baskets within the vario system is possible.

Ice-flex system:

Ice-Flex baskets adapt up to 28° to the slope inclination. Changing baskets within the ice-flex system is possible.



**VARIO
SUMMER BASKET**

Ø 6 cm
art. # 9356



**VARIO
WINTER BASKET**

Ø 8,5 cm
art. # 9364



**VARIO
WINTER BASKET XL**

Ø 10 cm
art. # 9912



**VARIO
DEEP POWDER BASKET**

Ø 13,5 cm
art. # 9908



**MINI UL
VARIO BASKET**

Ø 5 cm
art. # 9943



**REGULAR UL
VARIO BASKET**

Ø 7 cm
art. # 9944



**REGULAR UL
VARIO FXP BASKET**

Ø 7 cm
art. # 9953



**LARGE UL
VARIO BASKET**

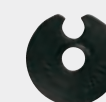
Ø 10,5 cm
art. # 9951

VARIO SYSTEM



RACE BASKET

Ø 6 cm
art. # 9352



**RACE BASKET
XS**

Ø 5 cm
art. # 9379



MINI UL BASKET

art. # 9942



**REGULAR UL
BASKET**

Ø 7 cm
art. # 9948



DOWNHILL BASKET

Ø 13,5 cm
art. # 9383

STANDARD SYSTEM



**LARGE UL
ICE-FLEX BASKET**

Ø 10,5 cm
art. # 9950



**XC SPEED
BASKET**

art. # 9384



ICE-FLEX-system
the simply brilliant moveable basket construction in combination with our ice-flex-tip



**TUBE-COLLAR FOR
ICE-FLEX SYSTEM**

art. # 147



**REGULAR UL
ICE-FLEX SYSTEM**

Ø 7 cm
art. # 9949



**REGULAR UL
ICE-FLEX FXP BASKET**

Ø 7 cm
art. # 9952

ICE-FLEX SYSTEM

ACCESSORIES
NORDIC WALKING
TREKKING
PROTECTION
SNOWSHOES
FREERIDE & TOURING
NORDIC XC
RENTAL
ALPINE
RACING

ACCESSORIES
NORDIC WALKING
TREKKING
PROTECTION
SNOWSHOES
FREERIDE & TOURING
NORDIC XC
RENTAL
ALPINE
RACING

STRAPS



ALPINE RACE STRAP

art. # 7304



POWDER STRAP

art. # 7350



PADDED STRAP

art. # 7342



LEATHER STRAP

Embossed logo

art. # 7313-2K



POWDER PADDED SCHLAUFE

art. # 7023



STANDARD STRAP ALPINE

art. # 7020 23mm



AUTOMATIC STRAP

art. # 7030 27mm



WALKER PADDES STRAP

art. # 7305



COMFORT / COMFORT PADDED STRAP

new loop system

art. # 7021 Comfort

art. # 722 Comfort Padded

NORDIC & NORDIC WALKING



NORDIC PADDED STRAP

art. # 7310

NORDIC CLASSIC STRAP

art. # 7331



**NORDIC SPEED
CLICK-IN 2.0 STRAP**

Sizes:
· S - M - L

art. # 7017



**NORDIC WALKING
CLICK-IN 2.0 STRAP**

Sizes:
· XS - S - M - L

art. # 7014



**TRAIL CLICK-IN 2.1
STRAP**

Sizes:
· XS - S - M - L

art. # 7018



VARIO PLUG

art. # 108

FLEX-SPITZEN



**ICE-FLEX TUNGSTEN/
CARBIDE TIP**

Ø 9 mm standard version

art. # 145



**VARIO TUNGSTEN/
CARBIDE FLEX TIP**

Ø 9 mm

art. # 178

art. # 99 for Powerlock



**VARIO TUNGSTEN/CARBIDE
FLEX TIP SHORT**

Ø 9 mm

art. # 193

art. # 174 for Powerlock



**NORDIC VARIO TUNGSTEN/
CARBIDE TIP**

Ø 9 mm

art. # 1015

TIPS FOR VARIO STANDARD BASKETS



ALLOY PLUG

art. # 106



TUNGSTEN/CARBIDE FLEX TIP SHORT

Ø 9 mm

art. # 160



TUNGSTEN/CARBIDE FLEX STEEL TIP SHORT

Ø 9 mm

art. # 96



BASKET FIXING PLUG

art. # 101



TUBE COLLAR

art. # 100

NORDIC WALKER, NORDIC XC & TRAIL



TRAILSTICK TIP

Ø 9 mm with tungsten/carbide hollow tip

art. # 1022



TIP PROTECTOR

art. # 192 Ø 8 mm

art. # 190 Ø 12 mm



NORDIC WALKING CLASSIC COLOR PAD

Ø 12 mm black

art. # 1007-203



NORDIC/BC TOURING BASKET

with steel tip

art. # 9375



NORDIC TREK ULTRALIGHT BASKET

holebasket with tungsten/carbide tip

art. # 9941



NORDIC TRAIL ULTRALIGHT BASKET

Ø 9 mm with tungsten/carbide tip

art. # 9938



XC BASKET

with steel tip

art. # 9361

ADJUSTMENT MECHANISMS



POWERLOCK 3.0

art. # 1291 18/16 mm

art. # 1292 16/14 mm



POWERLOCK 2.1

art. # 1280 18/16 mm

art. # 1282 16/14 mm



TUBE COLLAR

art. # 1302 Ø 16 mm

art. # 1301 Ø 18 mm



THREADED PART

art. # 1209 Ø 14 mm

art. # 1207 Ø 16 mm



EXPANDING NUT TITANAL.HF

art. # 1210 Ø 14 mm

art. # 1208 Ø 16 mm



THREADED PART TITANAL.HF

art. # 1272 Ø 14 mm

art. # 1274 Ø 16 mm



EXPANDING NUT TITANAL.HF

art. # 1209 Ø 14 mm

art. # 1207 Ø 16 mm

ALPINE, TOURING & TREKKING GRIPS



LEATHERGRIP CLASSIC

art. # 8854 Ø 16 mm



RACE DUPLO GRIP

art. # 8073 Ø 12,3 mm

art. # 8079 Ø 13 mm

art. # 8549 Ø 16 mm



LIGHTNING DUPLO GRIP

art. # 8047 Ø 13 mm

art. # 8038 Ø 16 mm



LIGHTNING TOUR DUPLO GRIP

art. # 8101 Ø 13 mm

ACCESSORIES
NORDIC WALKING
TREKKING
PROTECTION
SNOWSHOES
FREERIDE & TOURING
NORDIC XC
RENTAL
ALPINE
RACING

ACCESSORIES
NORDIC WALKING
TREKKING
PROTECTION
SNOWSHOES
FREERIDE & TOURING
NORDIC XC
RENTAL
ALPINE
RACING



FOAM EXPEDITION SHORT GRIP

art. # 8010-02 Ø 18 mm
art. # 8166-02 Ø 20 mm



FOAM ALPINE GRIP

art. # 8784 Ø 18 mm



RACE GRIP

art. # 8321 PE Ø 18 mm
art. # 8179 rubber Ø 18 mm
art. # 8183 rubber Ø 13 mm
art. # 8180 PU Ø 18 mm



COMPACT GRIP SYSTEM

art. # 8214 PU Ø 13 mm
art. # 8239 PU Ø 18 mm
art. # 8256 PU Ø 19 mm
art. # 8241 PE Ø 18 mm
art. # 8238 rubber Ø 18 mm
art. # 8239-255 cork Ø 18 mm



SABRE GRIP KIDS

art. # 8082 Ø 14 mm
art. # 8042 Ø 16 mm



JUNIOR JET GRIP

art. # 8220 Ø 13 mm
art. # 8234 Ø 14 mm
art. # 8236 Ø 16 mm



JUNIOR GRIP

art. # 8206 PE Ø 14 mm
art. # 8734 PU Ø 16 mm



KIDS RACE GRIP

art. # 8182 PE Ø 14 mm
art. # 8181 PE Ø 16 mm
art. # 8320 PU Ø 16 mm



COMPACT GRIP STANDARD

art. # 8728 PE Ø 18 mm



WALKER COMFORT GRIP

art. # 8773-255 cork Ø 16 mm
art. # 8764-255 cork Ø 18 mm



TREK 170 GRIP

art. # 8264 Ø 16 mm
art. # 8818 Ø 18 mm
art. # 8233 Ø 19 mm

art. # 8165 PE Ø 16 mm
art. # 8130-255 cork Ø 18 mm
art. # 8130-02 rubber Ø 18 mm



FOAM 280 GRIP

art. # 8159 Ø 16 mm
art. # 8135 Ø 18 mm



TOURING 2K CLICK-IN 2.0 GRIP

art. # 8902-202 Ø 18 mm

TOURING, NORDIC & NORDIC WALKING GRIPS



PISTOL 2K GRIP

art. # 8317 Ø 13 mm
art. # 8318 Ø 16 mm
art. # 8319 Ø 18 mm



2K TOURING FOAM 280 GRIP

art. # 8306-202A black/orange Ø 16 mm
art. # 8306-212B black/silver
art. # 8307-212B black/silver Ø 18 mm



2K TOURING FOAM 450 GRIP

art. # 8308-202A Ø 16 mm



FOAM PISTOL 120 GRIP

art. # 8313 Ø 13 mm
art. # 8314 Ø 16 mm



NORDIC 2K CLICK-IN 2.0 GRIP

art. # 8184 Ø 16 mm



NORDIC 2K CLICK-IN 2.0 GRIP

art. # 8177 Foam Ø 17 mm



XC GRIP

art. # 8721 Foam Ø 16 mm without Click-In
art. # 8738 Foam Ø 18 mm without Click-In



XC CLASSIC GRIP

art. # 8004-02 PE Ø 16 mm
art. # 8004-225 cork Ø 16 mm

POS MATERIAL



PROTEKTOREN SKI Cross Flex Demo Bord

- Features:**
- 60x78cm
 - Kapa material 5mm
 - removable protector insert
 - with optional hook to fix on cloth rail

art. # 6255-202



DISPLAY MANNEQUINS & TORSI

- Features:**
- lined transport bag
 - Base plate 18 x 30 x 0.6 cm for indoor and outdoor use
 - Ground spike for outdoor use

- art. # 2080-99 Males mannequin
art. # 2081-99 Ladies mannequin
art. # 2082-99 Junior mannequin
art. # 2083-99 Male torso
art. # 2084-99 Female torso



DEMO BALLISTIC Vest on Torso

- Features:**
- technique of the Ballistic Vest
 - consists of torso, Ballistic

art. # 6254-206

PROTECTION Demo-Set

- Features:**
- Set of various protector demo inserts

art. # 6649-10



IMPACT TEST MACHINE Gondola single

- Features:**
- 1735x1700x625mm
 - power and individual air connection will be needed (oxygen tank possible)
 - incl. clothes rail for protectors

art. # 6544-10



MONITOR DISPLAY small 10 inch

- Features:**
- Space-saving display for corporate and product videos for a holistic and customer-friendly product presentation.

Size 24,5 x 16,9 CM
Resolution 1920 x 1080

art. # 6579-10



MONITOR DISPLAY big 15 inch

- Features:**
- Elegant display for company and product videos for a holistic and customer-friendly product presentation.

Size 34,1 x 27,3 cm
Resolution 1024x768

art. # 6580-10

POS MATERIAL



TEAM VEST Women

Sizes:
· XS - L

Features:
· innovative material-mix: extra-light shell material combined with smart breathable thermo-padding
· removeable hood stormproof

art. # 6345-02



TEAM WESTE Men

Sizes:
· XS - XL

Features:
· innovative material-mix: extra-light shell material combined with smart breathable thermo-padding
· removeable hood stormproof

art. # 6344-02



TEAM WEAR HOODY Men

Sizes:
· S - XXL

Features:
· individualization with own name or logo optional
· front zip

art. # K7801-208 neon green



TEAM WEAR HOODY Women

Sizes:
· S - XXL

Features:
· individualization with own name or logo optional
· front zip

art. # K6801-209 berry

BUFF BEANIE

Features:

- Reversible: two designs in one product.
- Ultra-Stretch Technology: 4-way stretch for best fit and maximum comfort.
- legendary comfort & top performance: recycled fiber, UV protection, improved elasticity.

art. # 6655-48 green

art. # 6656-14 pink



BUFF MULTIFUNCTIONAL SCARF

Features:

- The multifunctional classic: flexible, recycled and providing UV-Protection
- Ultra-Stretch-Technology: 4-way-stretch for the best fit and comfort
- Enjoy multifunctionality: choose your style of wearing!

art. # 6659-48 green

art. # 6660-14 pink

BUFF HEADBAND

Features:

- wide design for more comfort and protection
- Ultra-Stretch-Technology: 4-Way-Stretch for the best fit and comfort
- Recycled materials for a better planet

art. # 6653-48 green

art. # 6654-14 pink



POS MATERIAL



BLACK LIGHT PRESENTATION FOR NATIONALTEAM POLES

- Features:**
- 60W
 - 1,5m cable length
 - easy assembly
 - consisting of lamp, mount, plug and remote
 - appropriate for shop window, order fair, showrooms, highlight/product presentation

art. # 6456-10



DISPLAY Marco Schwarz

- Features:**
- life-sized shop display
 - real poles can be fixed on the display
 - poles not included in the price

art. # 58-999



DISPLAY Winter sports

- Features:**
- life-sized shop display
 - real poles and protector can be fixed on the display
 - poles and protector not included in the price

art. # 6679-999



DISPLAY Equestrian sport level 2 / level 3

- Features:**
- life-sized shop display
 - real protector can be fixed on the display
 - protector not included in the price
 - 4 interchangeable honeycombs included (2 for Level 2 and 2 for Level 3)

art. # 6674-999

DISPLAY Race

- Features:**
- 169x48.5x78cm
 - usable on both sides
 - flexible arrangement of hooks possible
 - includes 20 metal hooks
 - robust and decorative
 - space for 24 pairs of poles (products are not included)

art. # 58-999



LOT BOX SMASH JUNIOR

- Features:**
- 59 x 86 x 36 cm (measured without poles)
 - Instore display for 25 pairs of Smash Series poles
 - made of cardboard
 - perfect for every shop

art. # 59-999



POS MATERIAL



LOT BOX

Features:

- 59 x 86 x 36 cm (with drawer 84 x 86 x 36cm, measured without poles)
- Instore display for 25 pairs of telescopic or fixed length poles
- made of cardboard
- 4 drawers included for accessories perfect for every shop

art. # 57-999



BEACHFLAGS

Features:

- padded transportation bag
- base plate 18 x 30 x 0,6 cm for indoor use or bolt for outdoor use

total height 250 cm

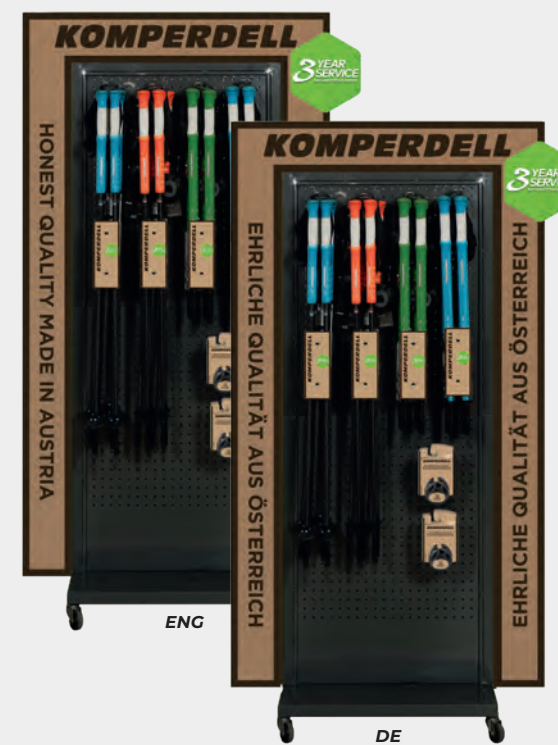
■ art. # 34-48

■ art. # 34-123

total height 450 cm

■ art. # 29-48

■ art. # 29-123



POLE DISPLAY

Features:

- Instore display for Trekking- and Alpine poles
- made of strong aluminum
- with wheels
- perfect for any shop
- includes 12 hooks

art. # 56-999



LOGO BANNER

Features:

- 200 x 70 cm
- fully eyed and seamed
- perfect for promotion to hang into shop windows, in the window, on fences etc

■ art. # 35-48

■ art. # 35-123



WOODEN POLE DISPLAY

for 16 pairs of poles (without poles)

art. # 181-25

for 8 pairs of poles (without poles)

art. # 431-25

POLE PACKAGING

Ø 16 mm

art. # 2328-16

Ø 18 mm

art. # 2328-18



KOMPERDELL.COM



HEADQUARTERS MONDSEE

KOMPERDELL GmbH

Wagnermühle 30 | 5310 Mondsee | Austria
T 0043 6232 4201-0 | sales@komperdell.com
komperdell.com

DISTRIBUTION NORTH AMERICA

CAMARO USA, LLC

1021 | 39th Avenue SE Puyallup | WA 98374 | USA
T +1 253-867-57 35 | sales-usa@camaro.at
komperdell.com



KOMPERDELL